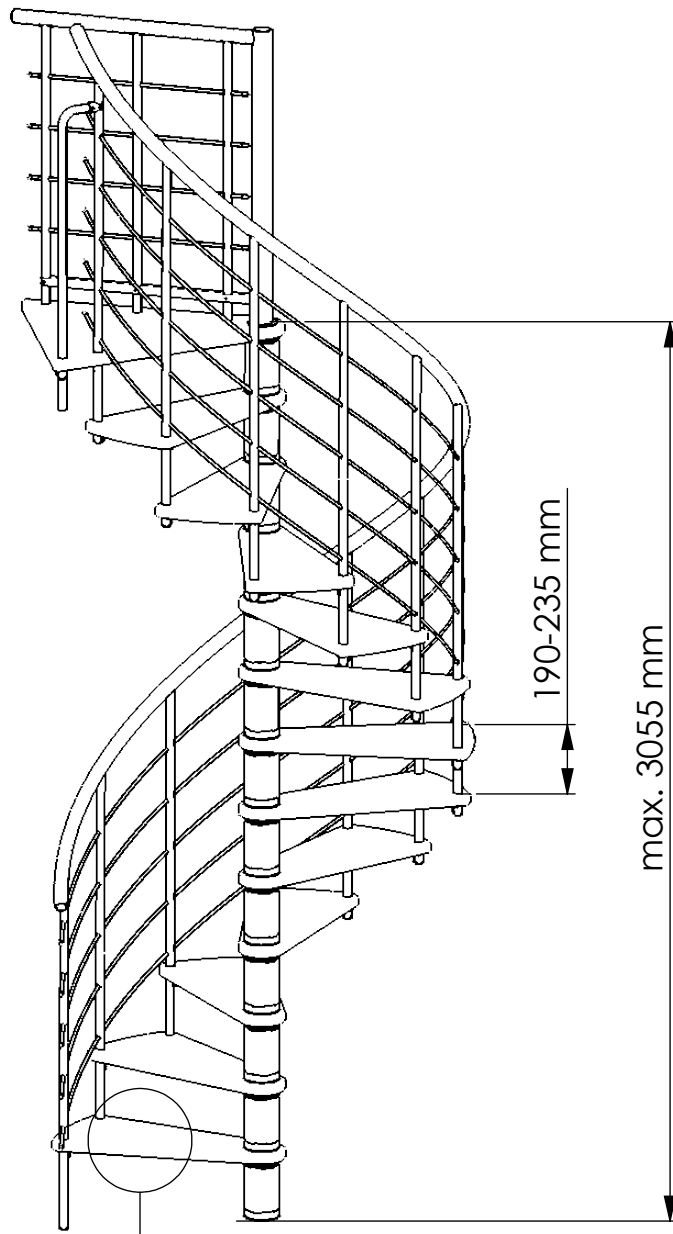
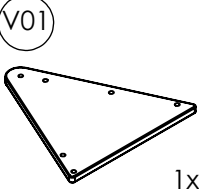
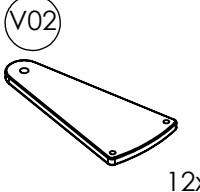
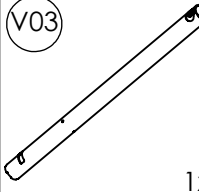
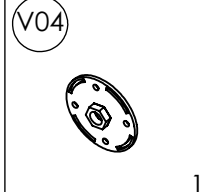
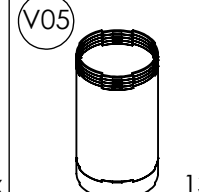
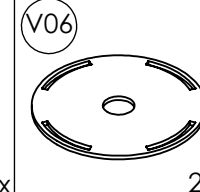
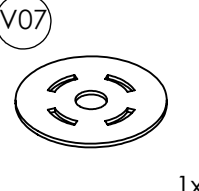
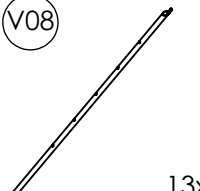
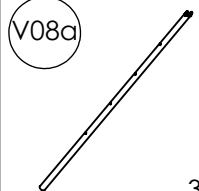
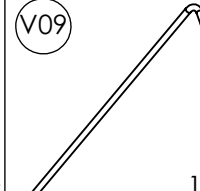
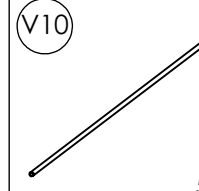
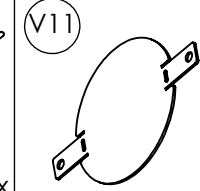
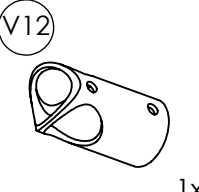
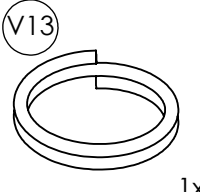
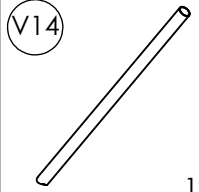
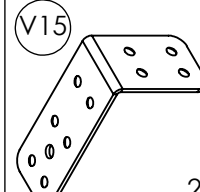
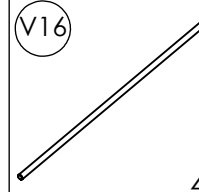
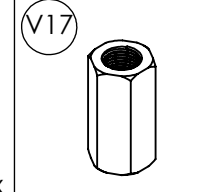
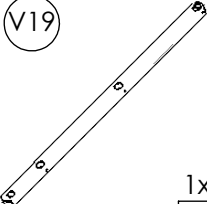

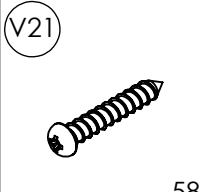
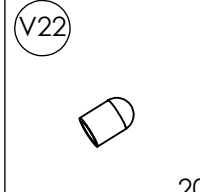
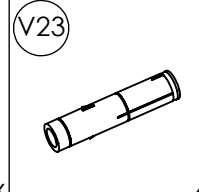
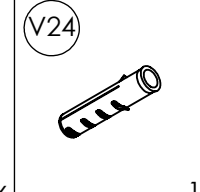
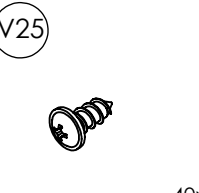
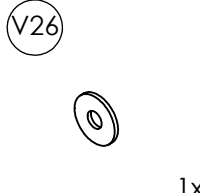
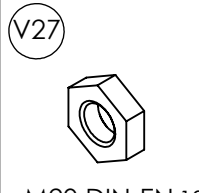
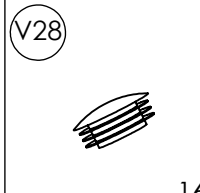
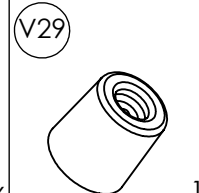
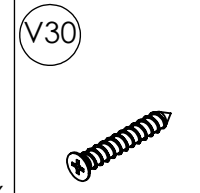
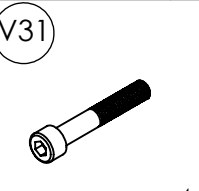
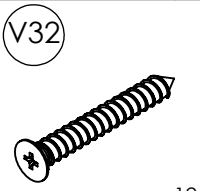

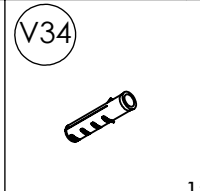
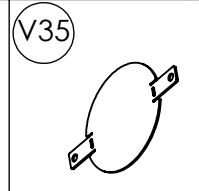
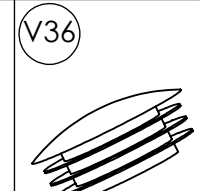
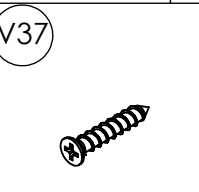
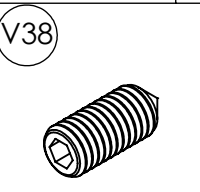
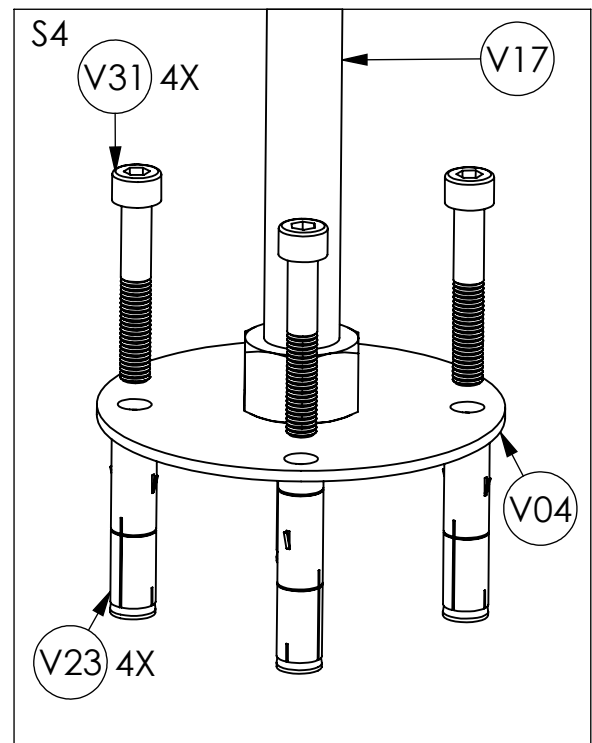
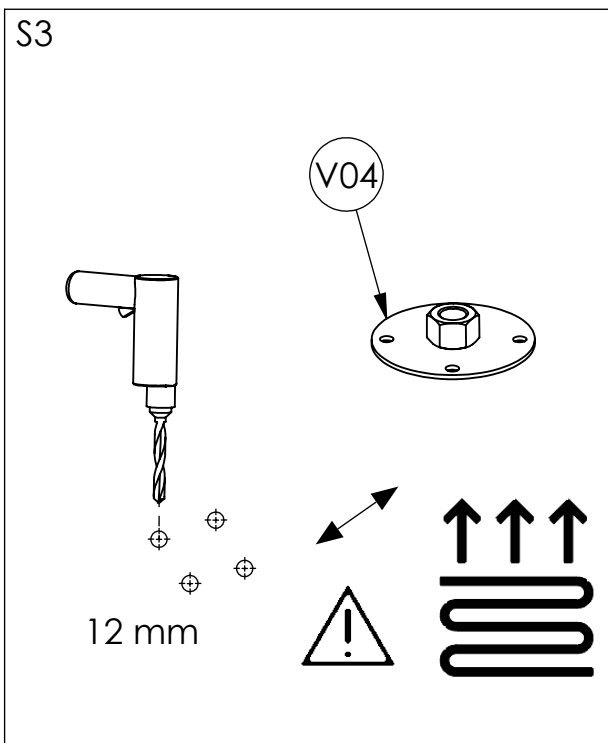
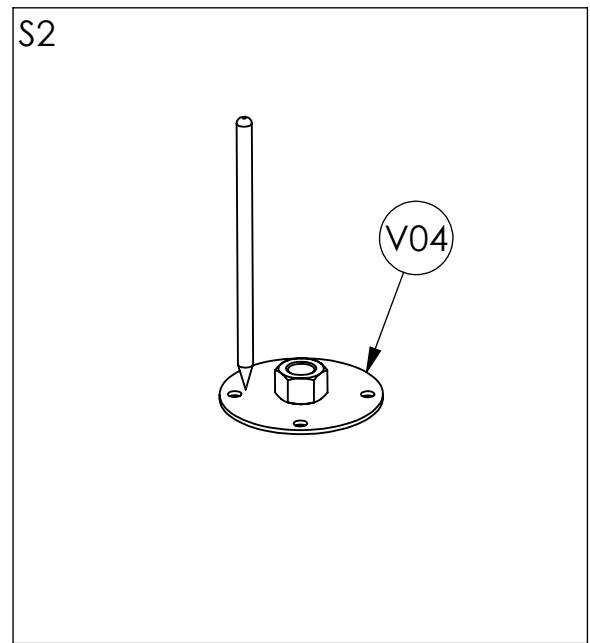
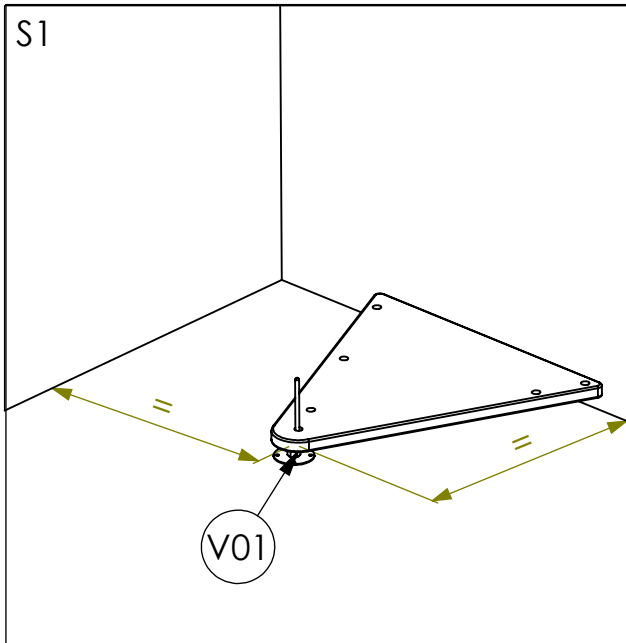


	9	10	11	12	13
H min	1710mm	1900mm	2090mm	2280mm	2470mm
H max	2115mm	2350mm	2585mm	2820mm	3055mm

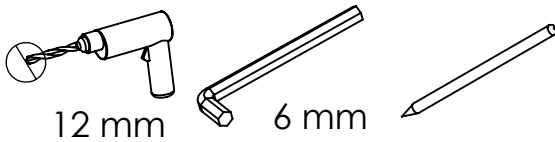


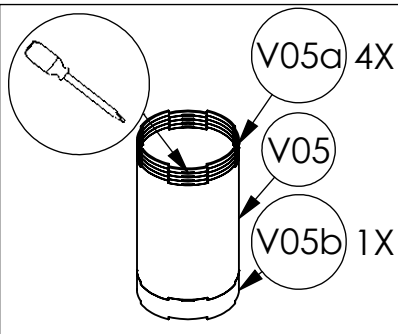
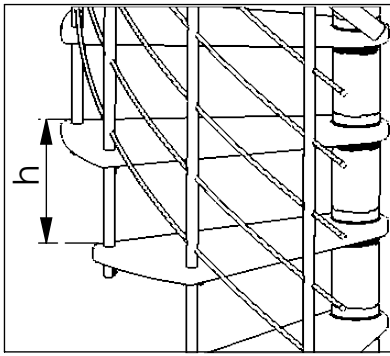
Venezia Smart EB_10010_02

 <p>V01 1x</p>	 <p>V02 12x</p>	 <p>V03 1x Ø 60 x 1000x4 mm</p>	 <p>V04 1x</p>	 <p>V05 13x Ø 108x200 mm</p>	 <p>V06 26x Ø 115 x 3 mm</p>
 <p>V07 1x Ø 100 x 3 mm</p>	 <p>V08 13x Ø 22x2x1275 mm</p>	 <p>V08a 3x Ø 22x2x1030 mm</p>	 <p>V09 1x Ø 22x1x913+170mm</p>	 <p>V10 5x Ø 6x1x6000 mm</p>	 <p>V11 1x Ø 60 mm</p>
 <p>V12 1x Ø 28x2x50 mm</p>	 <p>V13 1x Ø 40x3x6000mm</p>	 <p>V14 1x Ø 40x2x975 mm</p>	 <p>V15 2x</p>	 <p>V16 4x M20 x 1000 mm</p>	 <p>V17 4x M20 DIN 6334</p>
 <p>V19 1x</p>	 <p>V20 29x</p>	 <p>V21 58x Ø 5 x 30 mm</p>	 <p>V22 20x Ø 6 x 12 mm</p>	 <p>V23 4x Ø 12 mm</p>	 <p>V24 12x Ø 8 mm</p>
 <p>V25 40x Ø 4 x 20 mm</p>	 <p>V26 1x M5 DIN 9021</p>	 <p>V27 13x M20 DIN-EN 24035</p>	 <p>V28 16x Ø 22 mm</p>	 <p>V29 1x</p>	 <p>V30 1x Ø 4x50mm</p>
 <p>V31 4x M8x50 mm</p>	 <p>V32 12x Ø 6x50mm</p>	 <p>V33 8x Ø 6x30mm</p>	 <p>V34 1x Ø 6 mm</p>	 <p>V35 1x Ø 40 mm</p>	 <p>V36 2x Ø 40 mm</p>
 <p>V37 26x Ø 4x25mm</p>	 <p>V38 3x M8x20mm</p>				

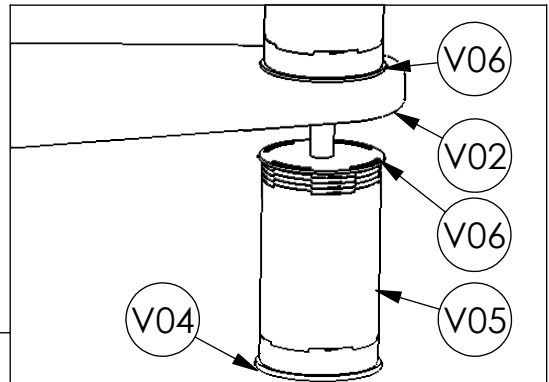
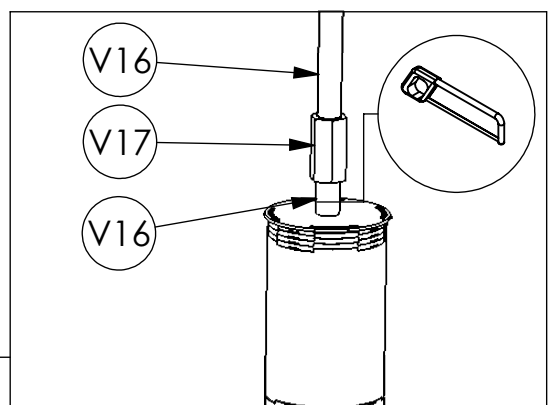
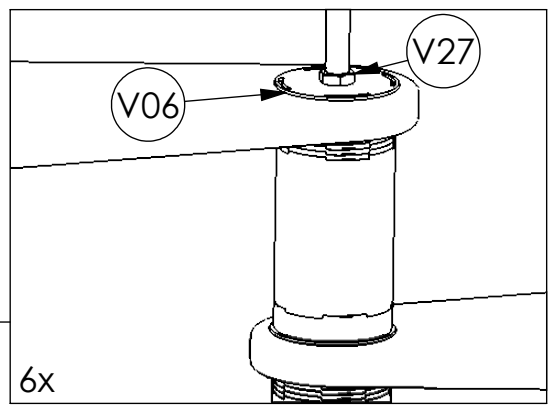
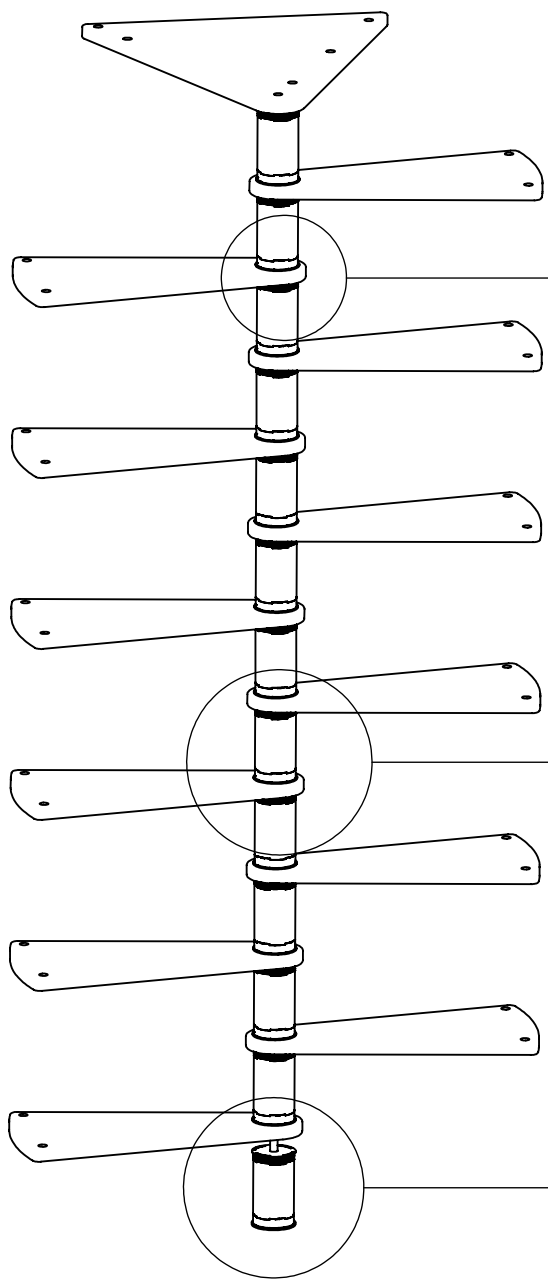


3

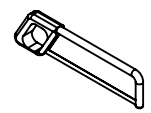
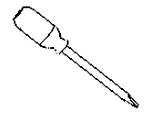
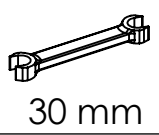


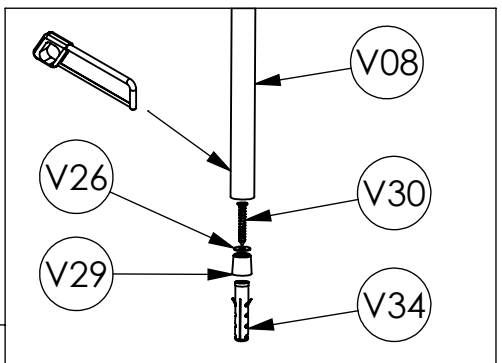
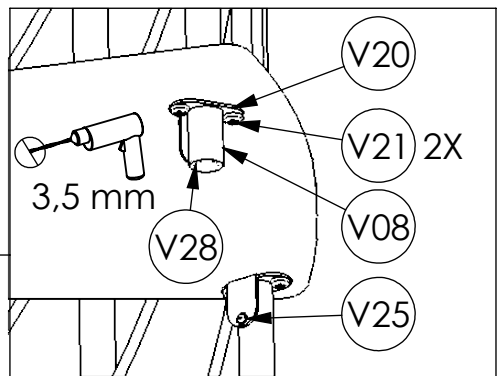
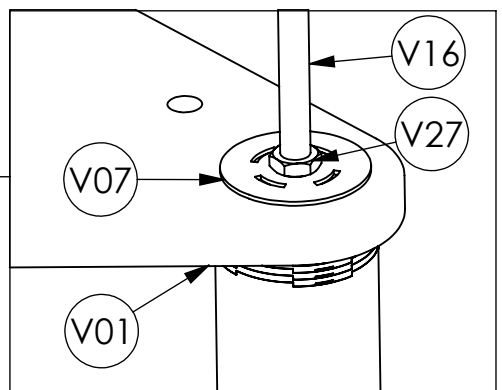
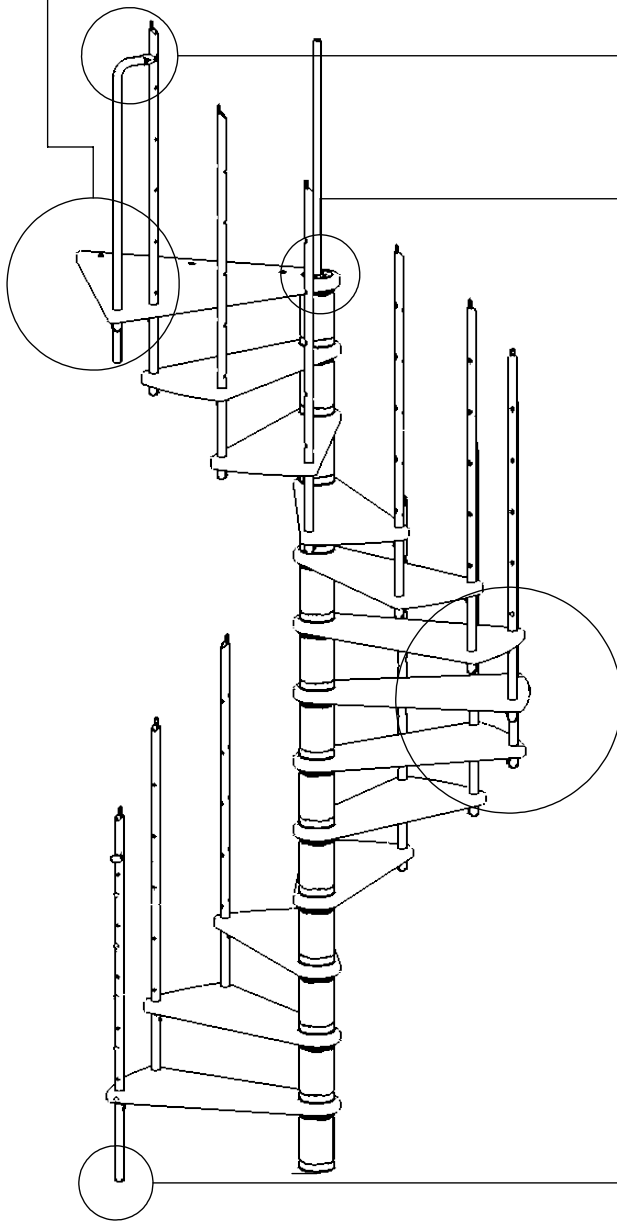
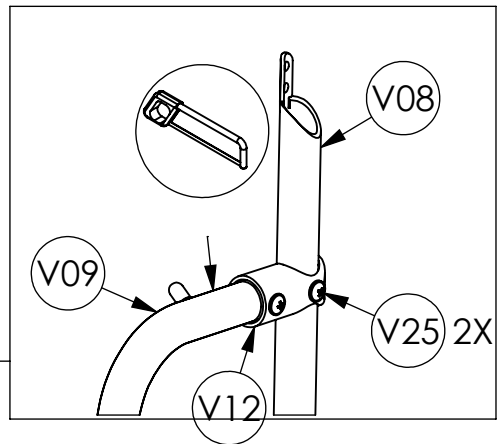
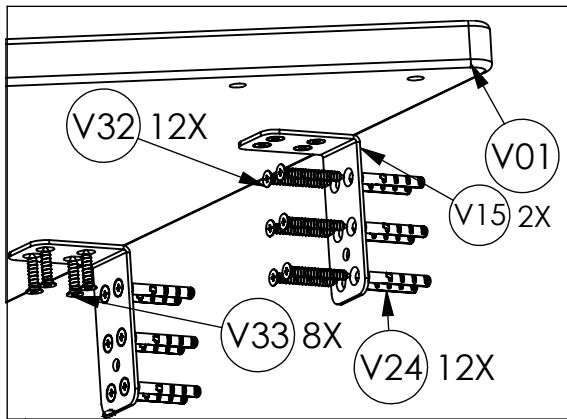


h	V05a	V05b
190 mm	0x	0x
195 mm	1x	0x
200 mm	2x	0x
205 mm	3x	0x
210 mm	4x	0x
215 mm	0x	1x
220 mm	1x	1x
225 mm	2x	1x
230 mm	3x	1x
235 mm	4x	1x

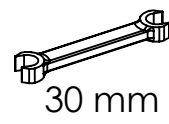
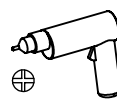
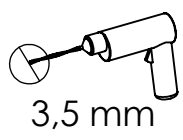
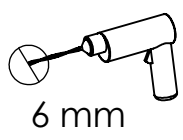
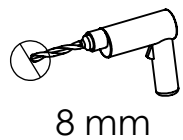


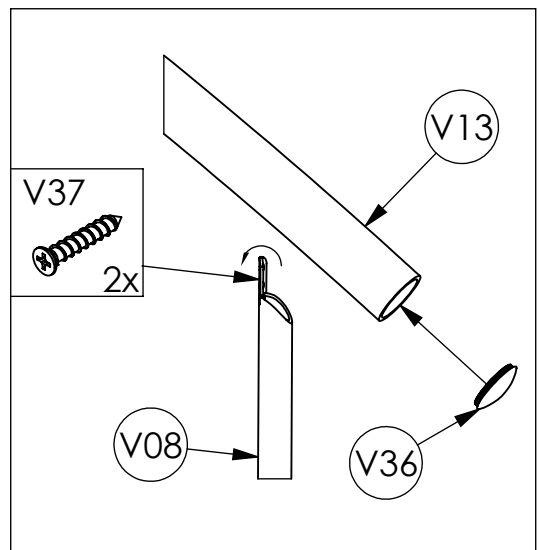
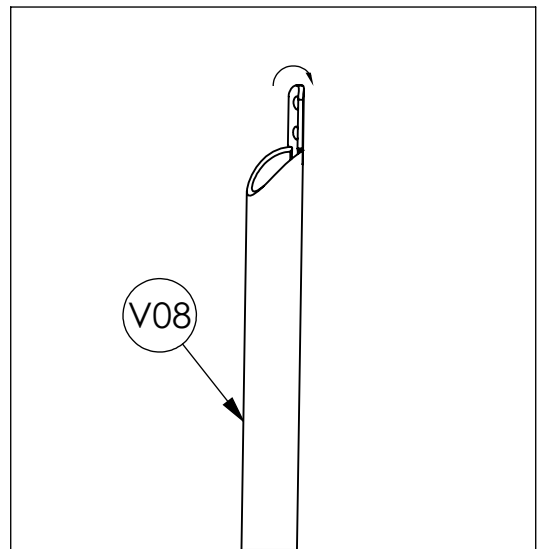
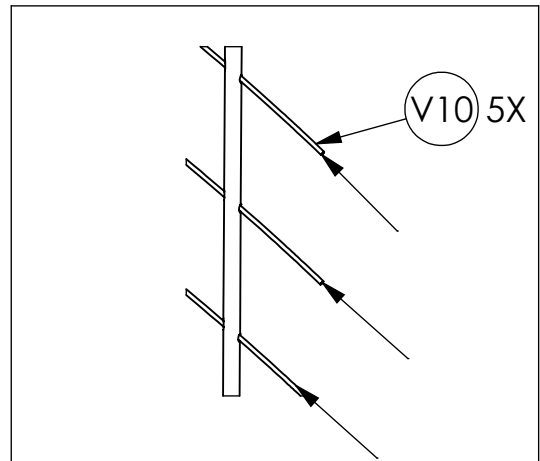
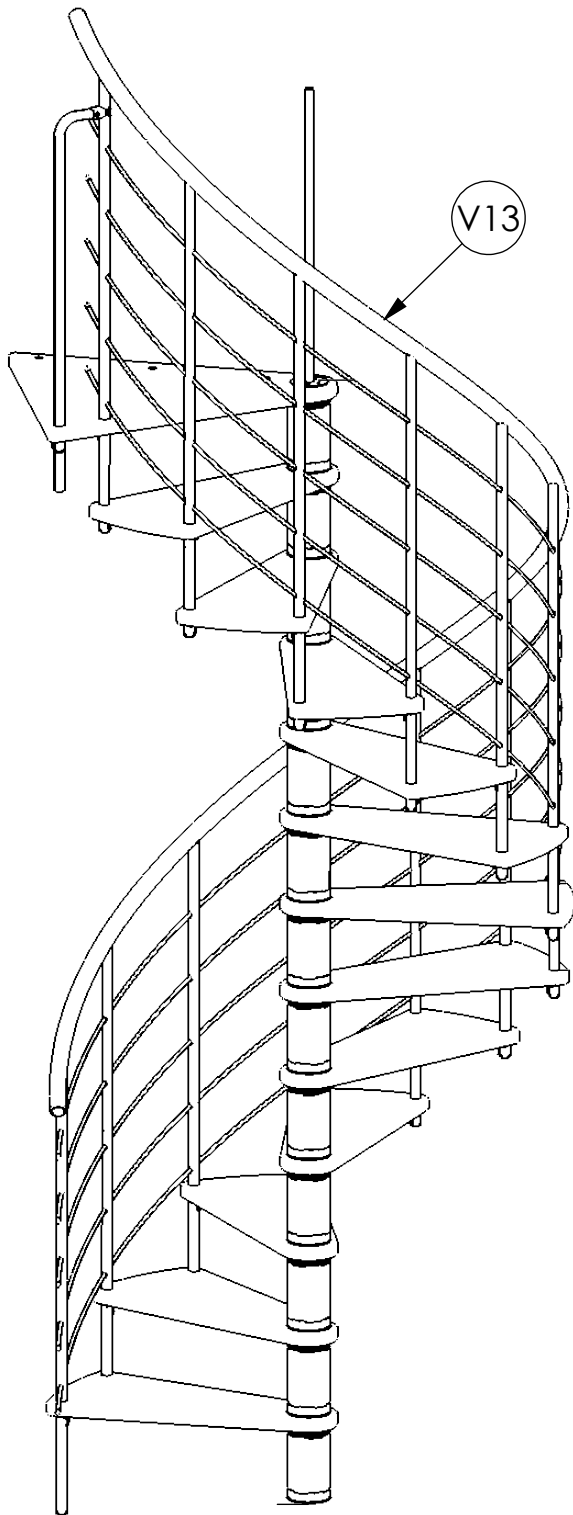
4



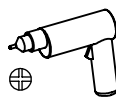
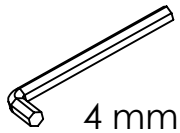
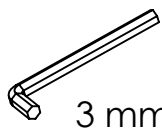


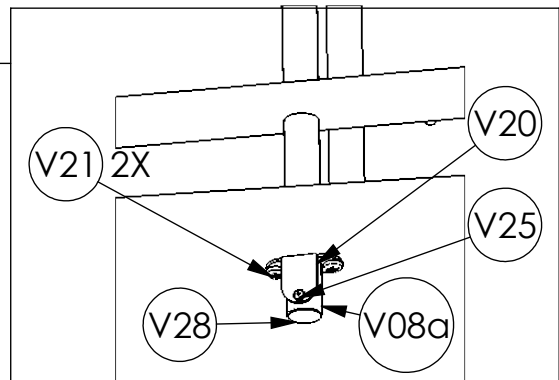
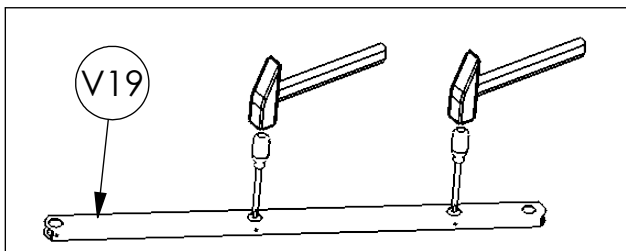
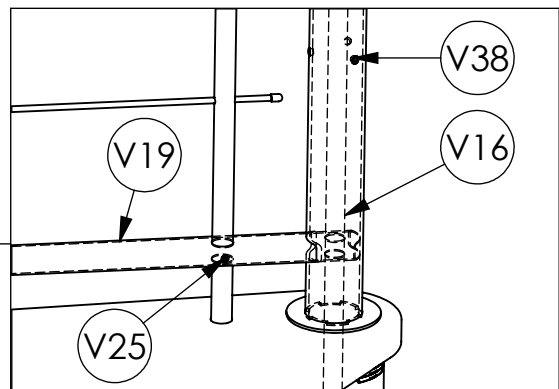
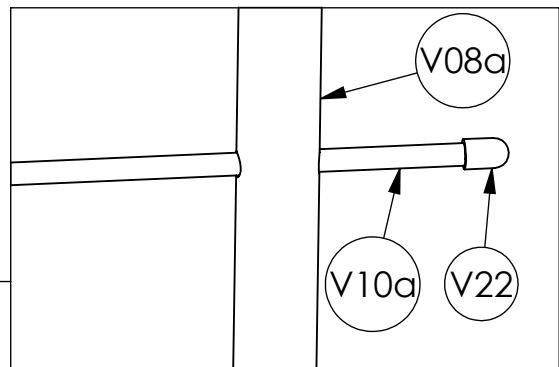
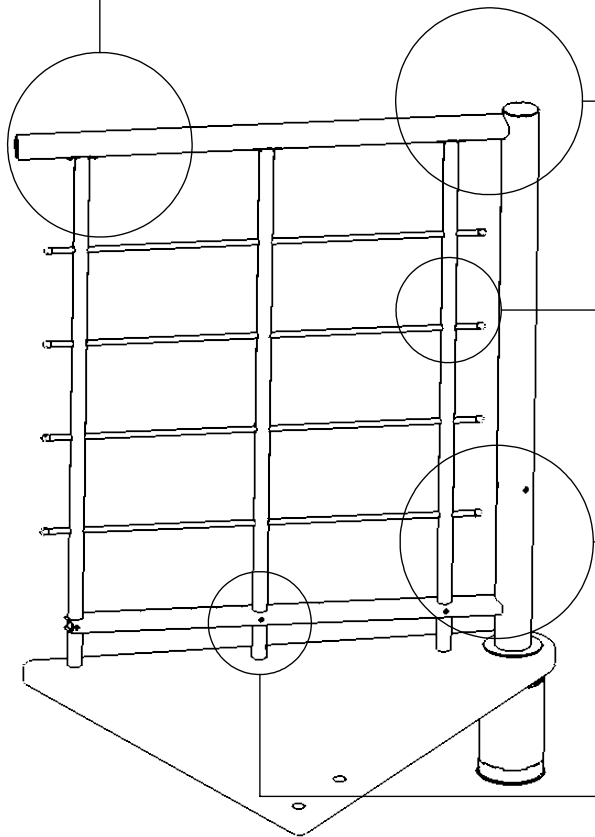
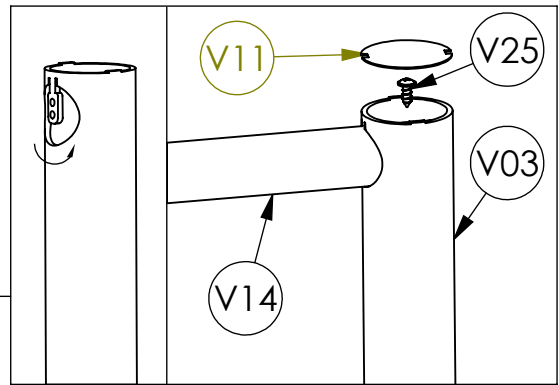
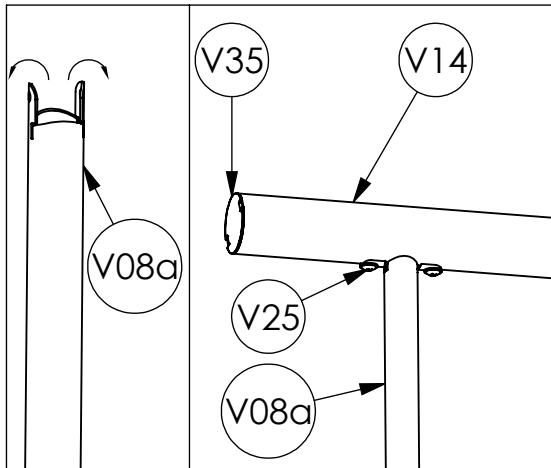
5





6





7

