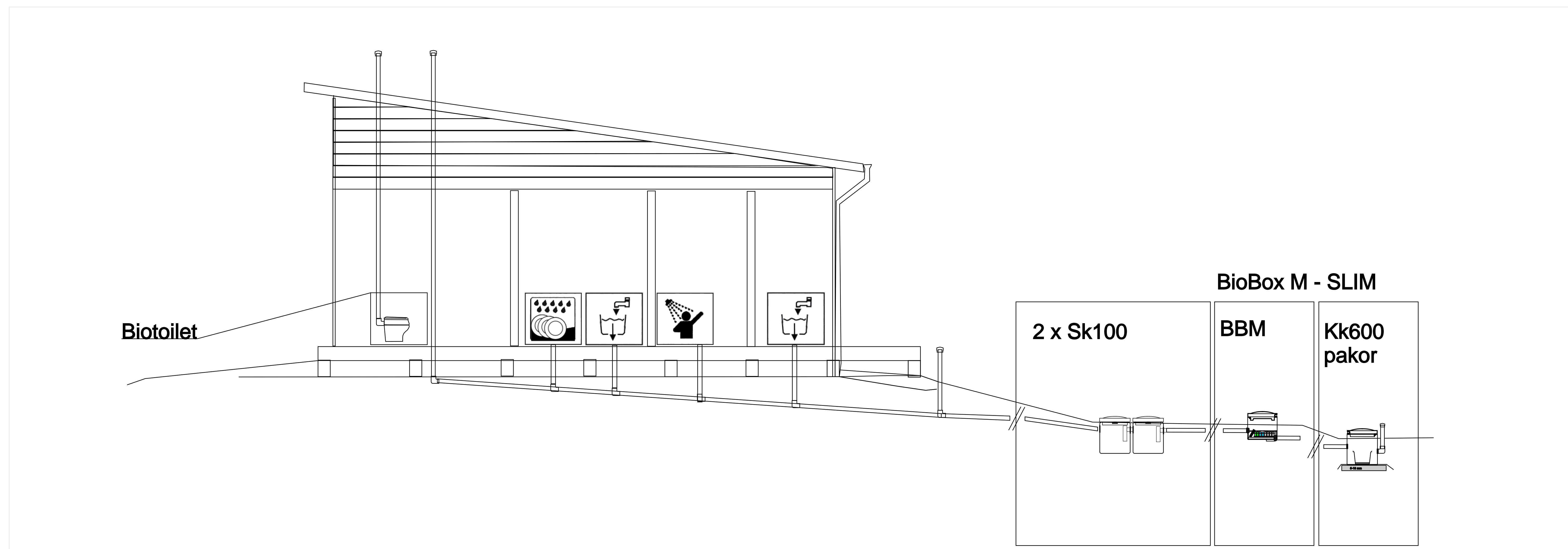
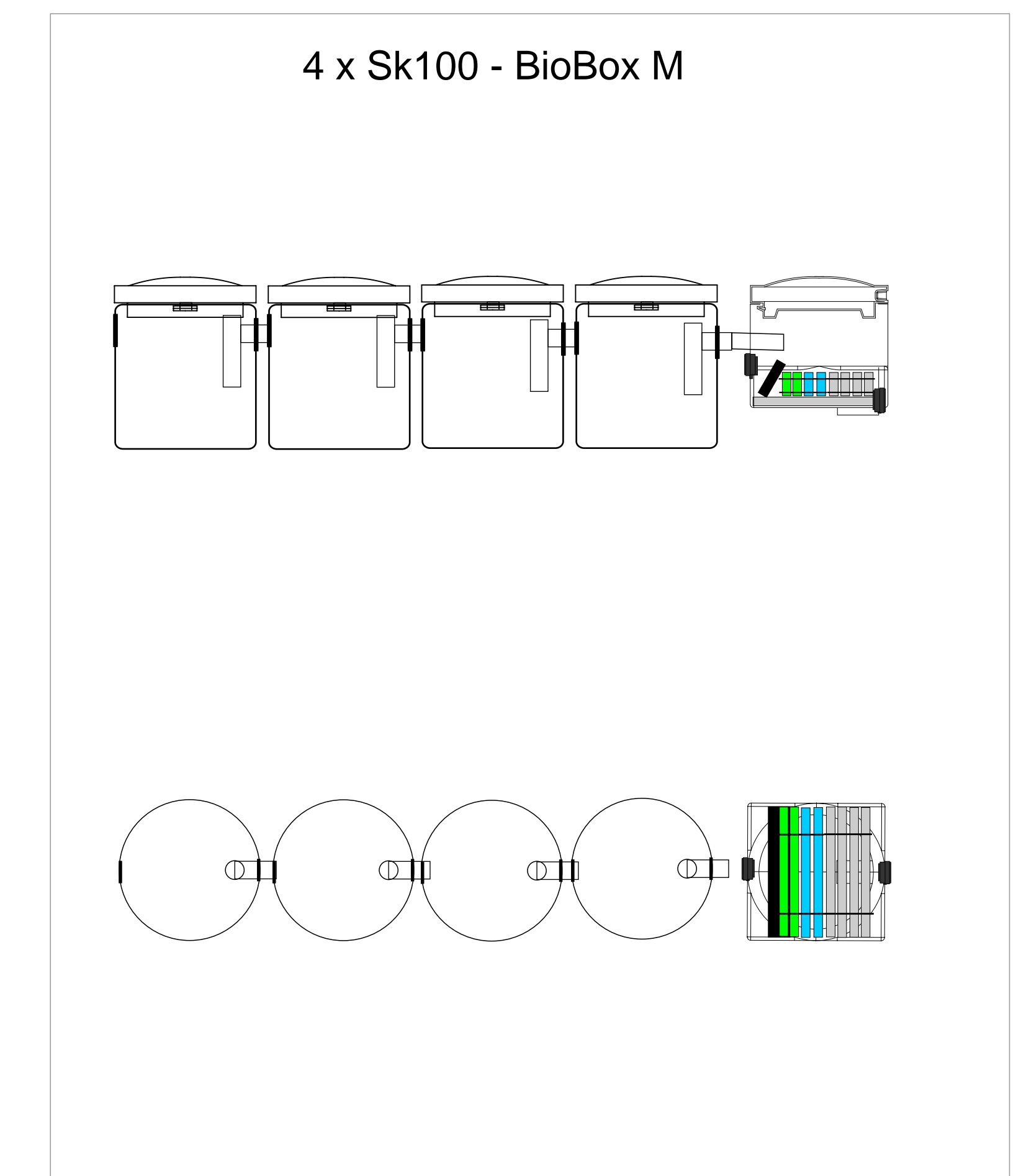
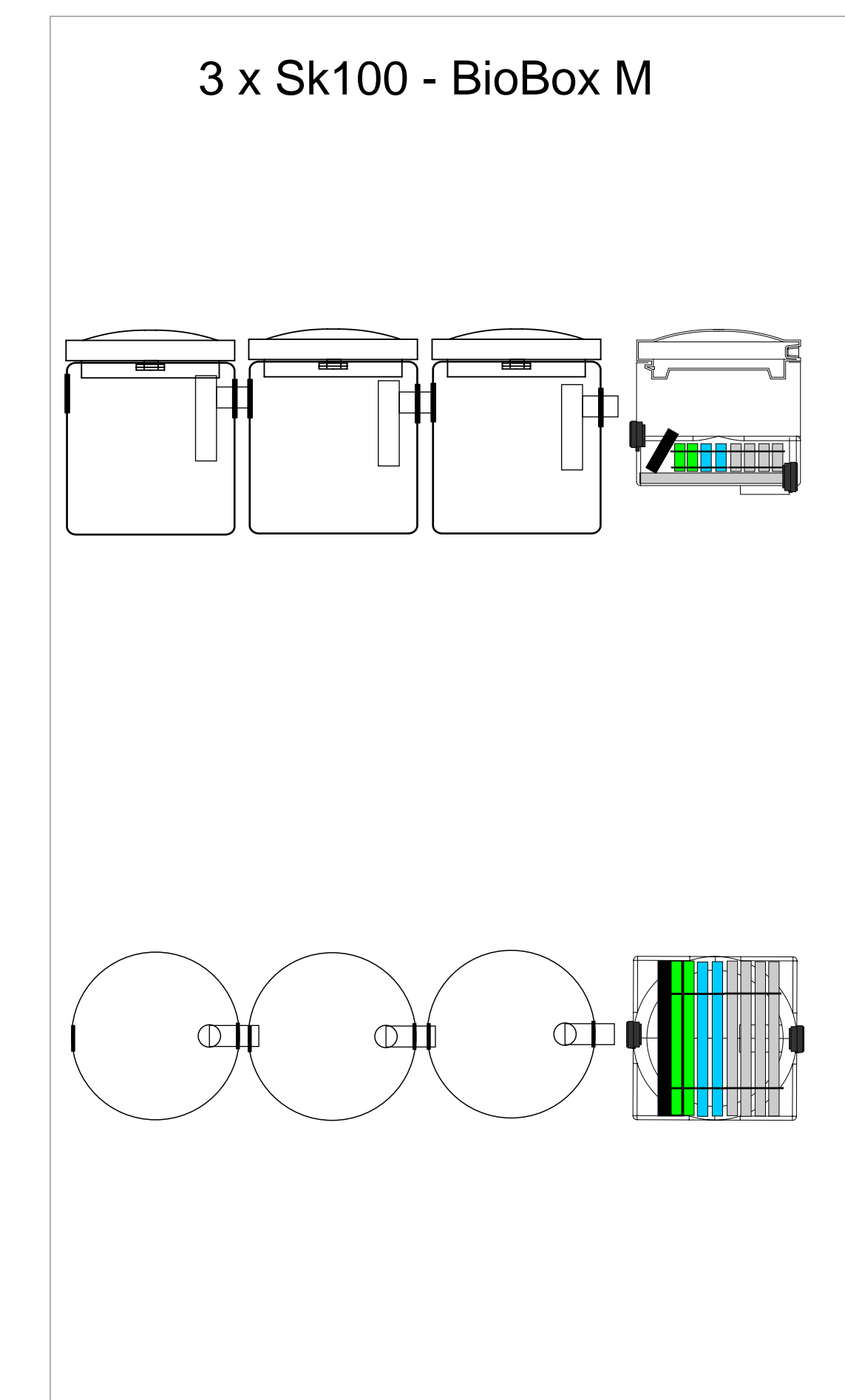
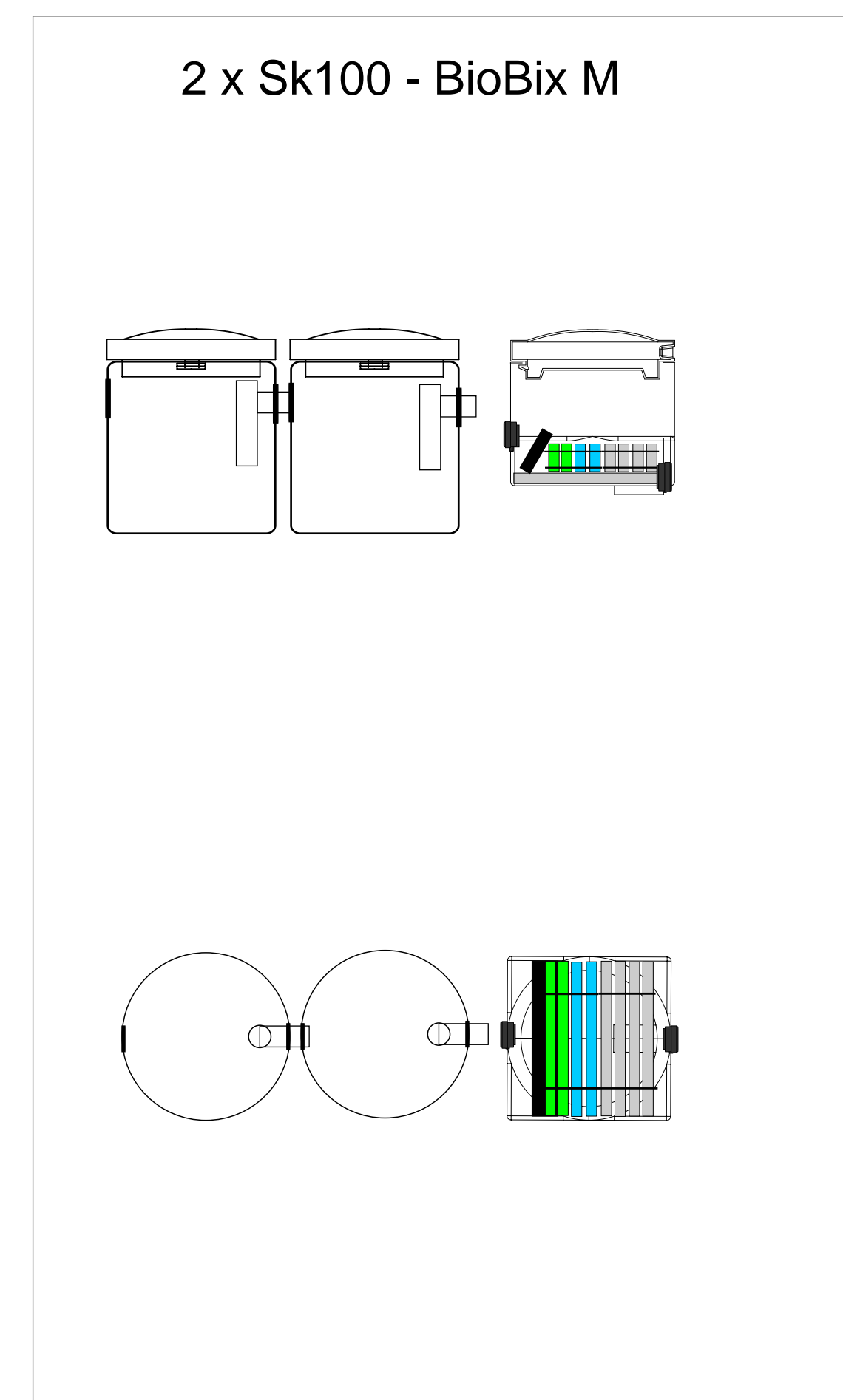
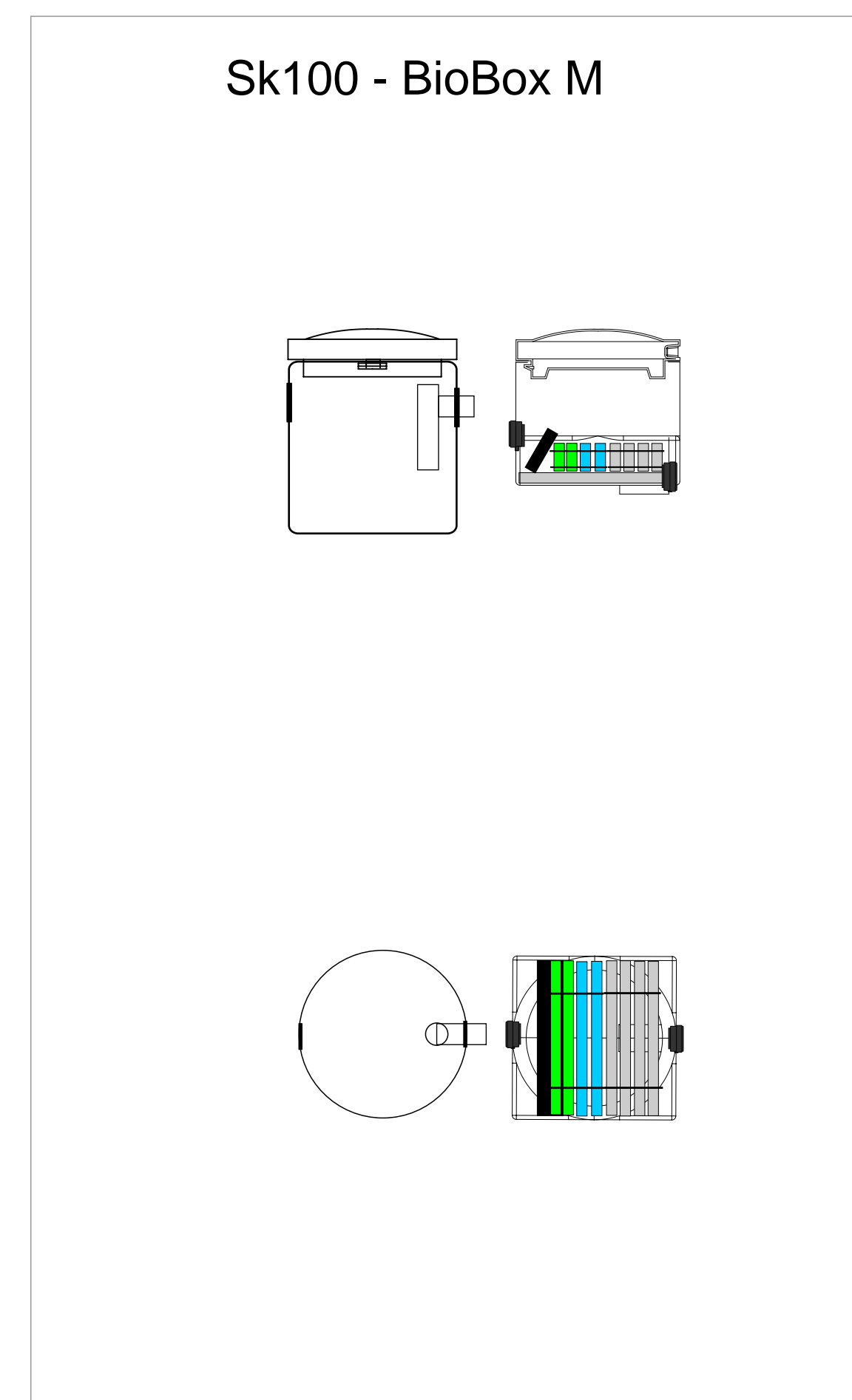
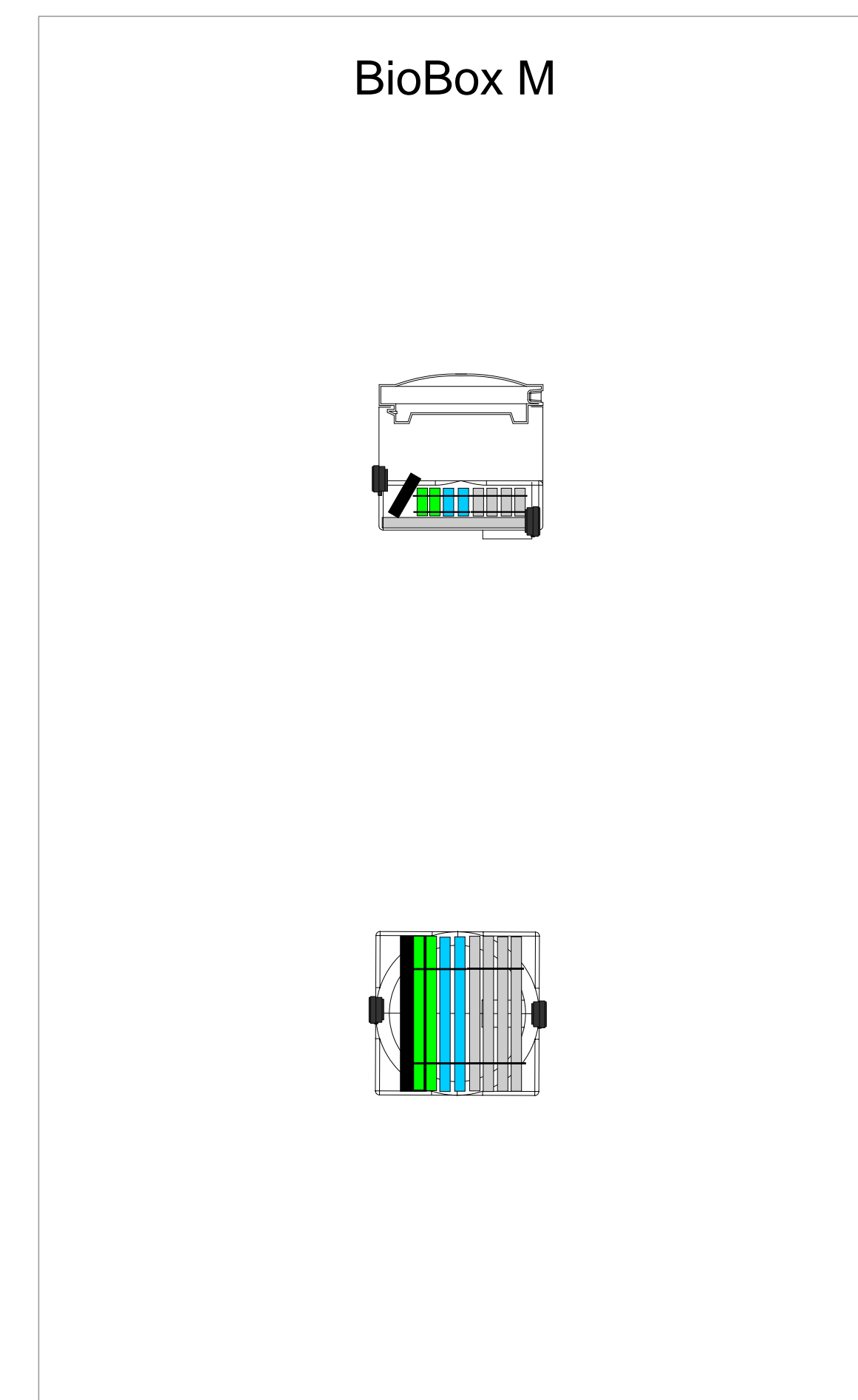
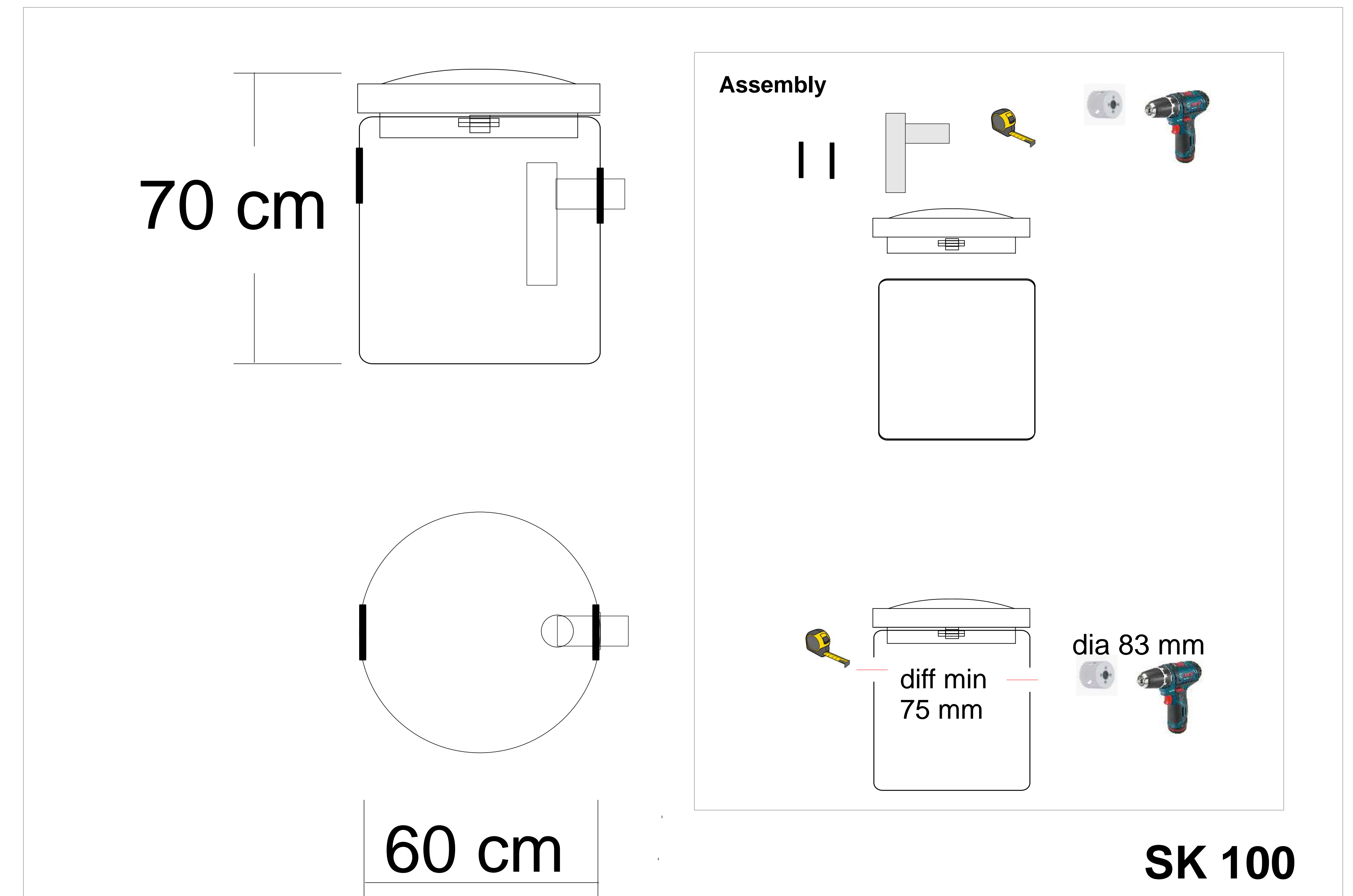
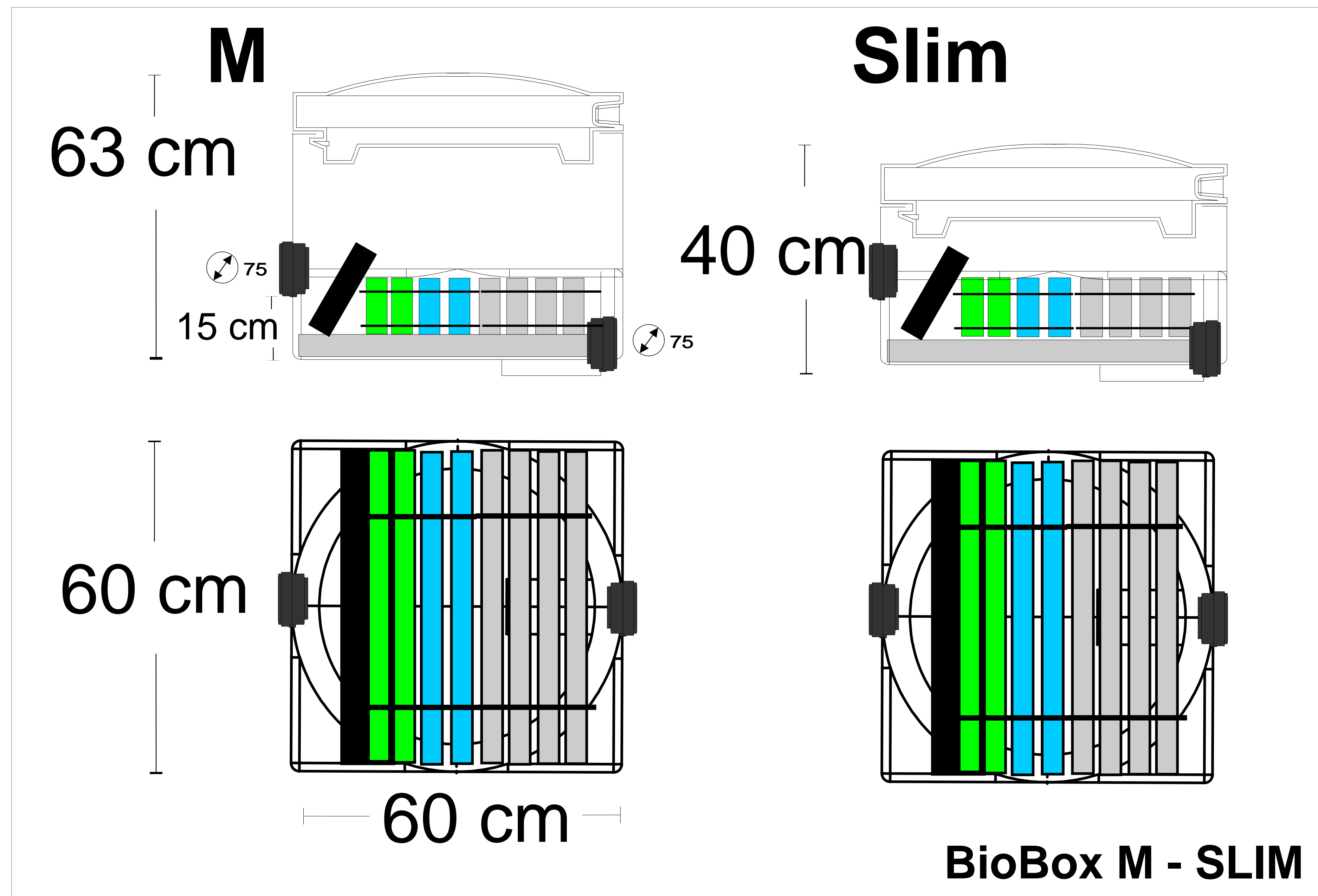


# BioBox M - SLIM | SOVELLUKSET | APPLICATIONS | APPLIKATIONER

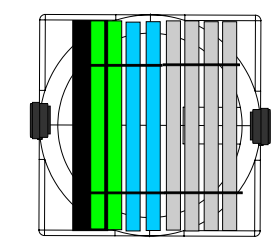
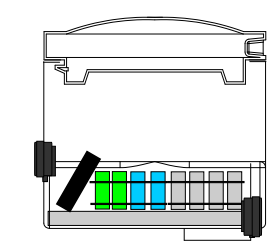




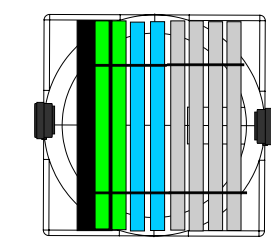
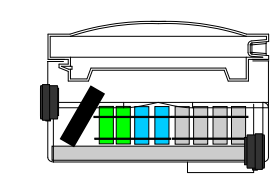
		Scale: 1:20
	BioBox XL XL+	2023
raitabiobox.com		



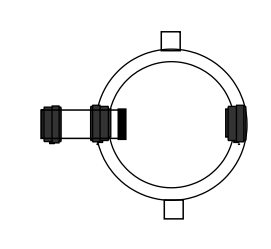
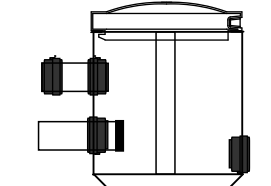
BioBox M



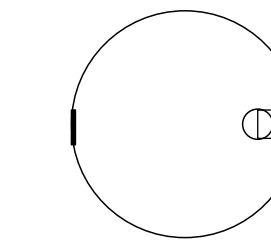
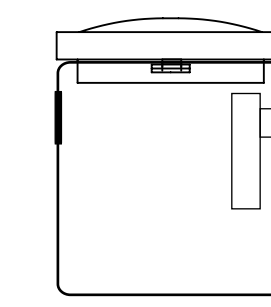
BioBox Slim



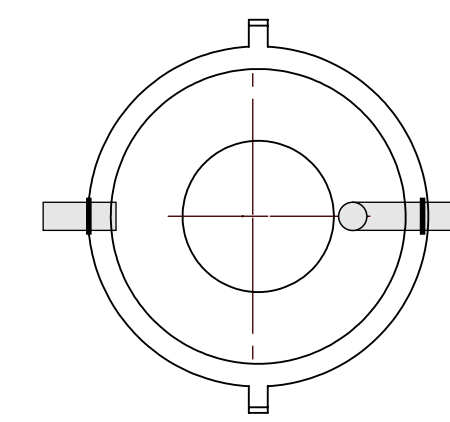
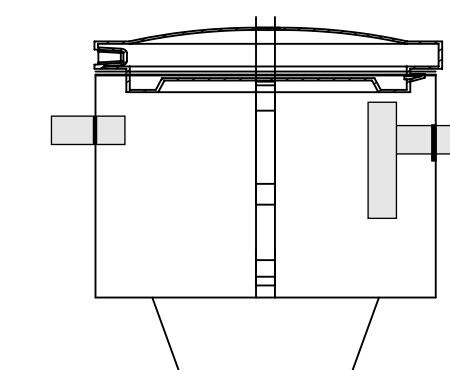
Kk400



Sk100

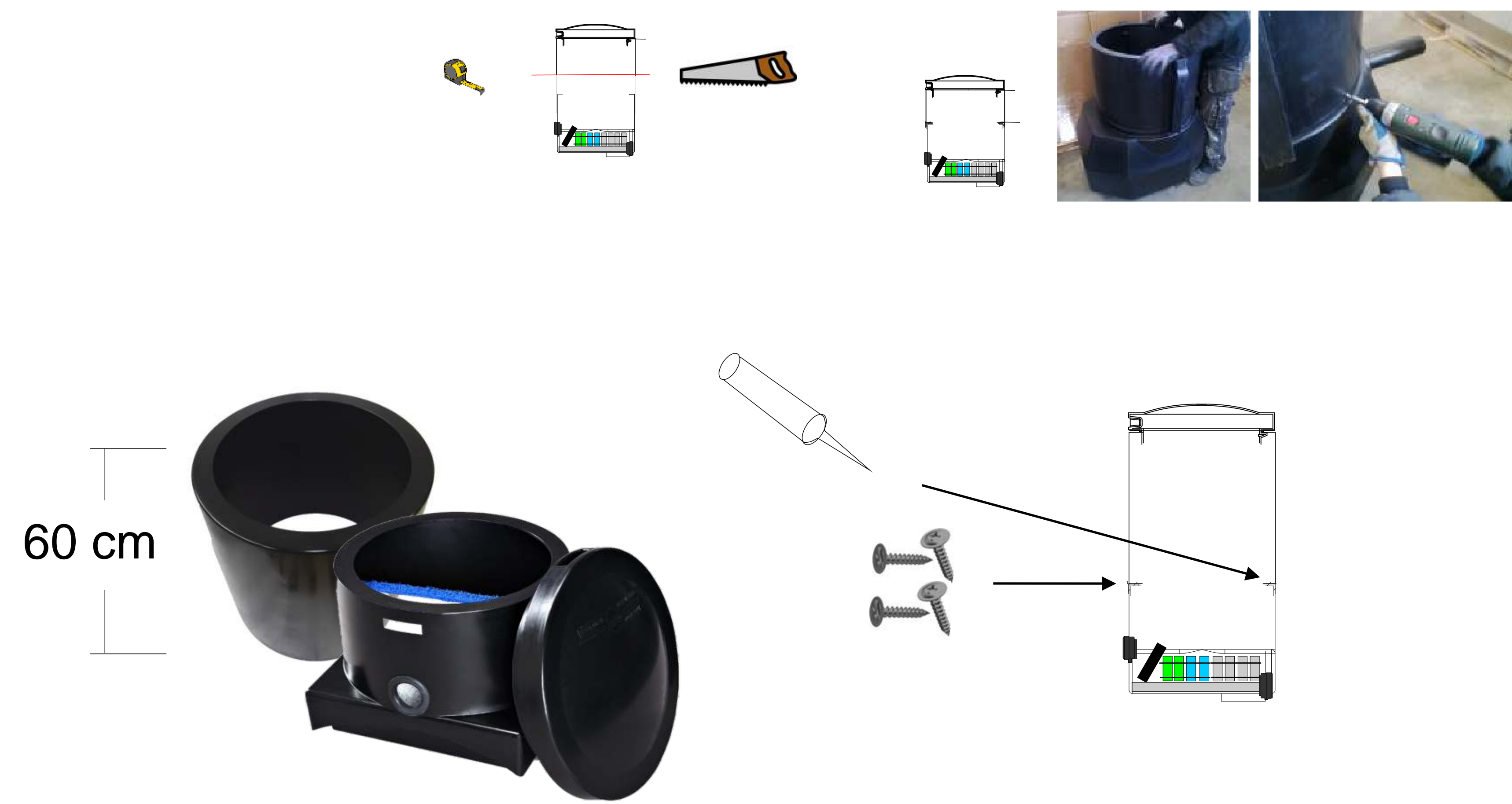


Sk250



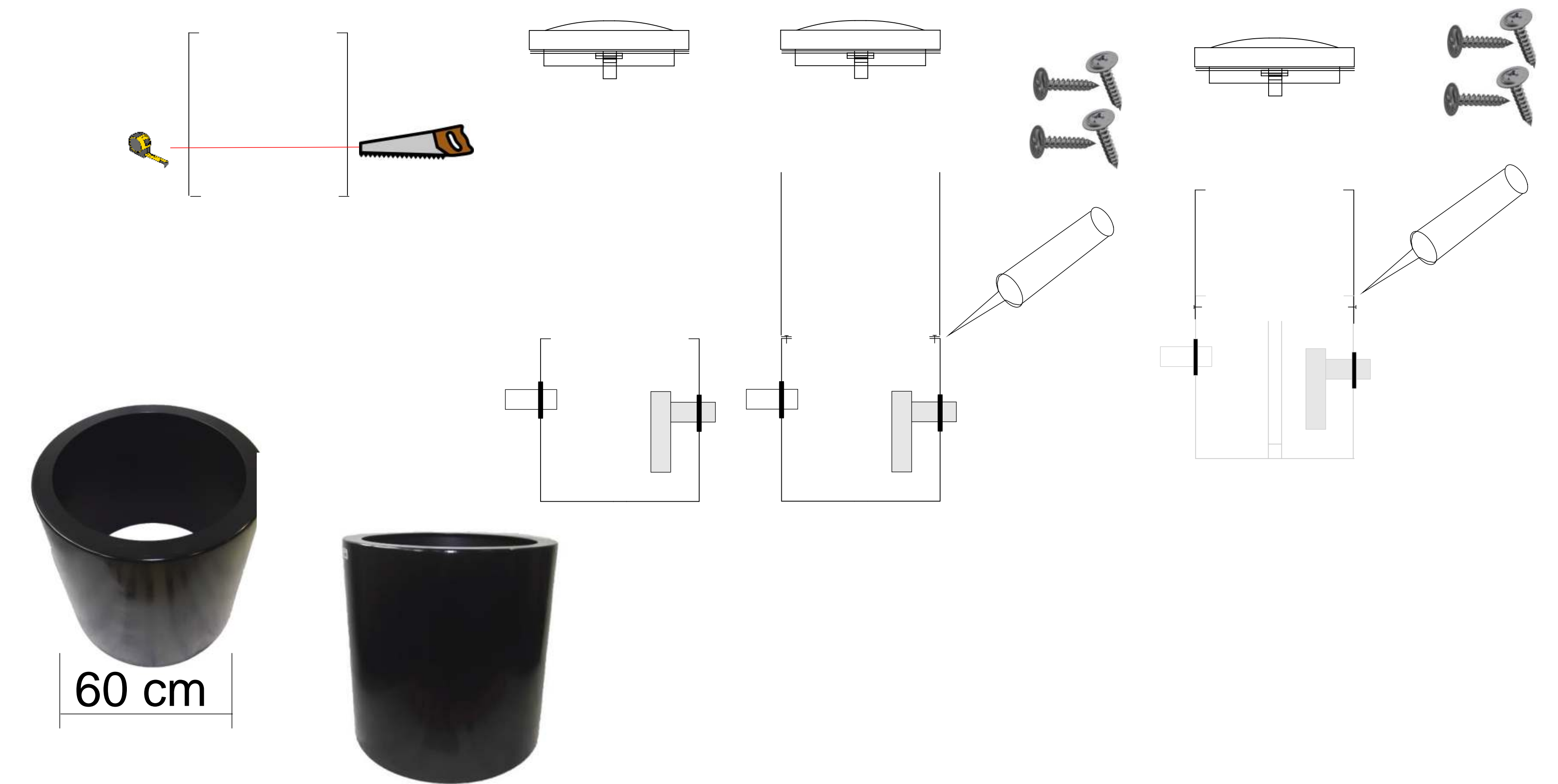
		Scale:
		1:20
	BioBox M SLIM	2022
raitabiobox.com		

BioBox M - Slim - pakor



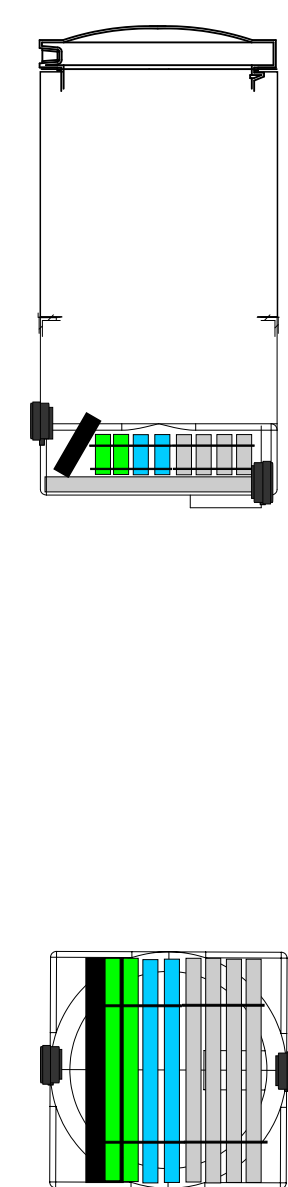
BioBox M

Sk100 - pakor

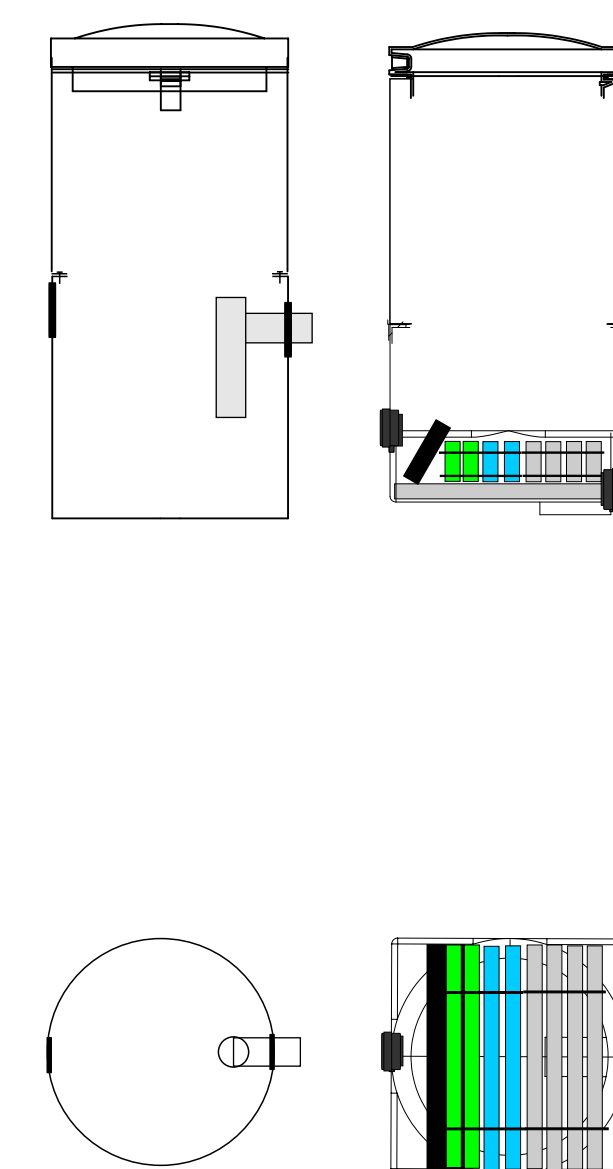


SK 100

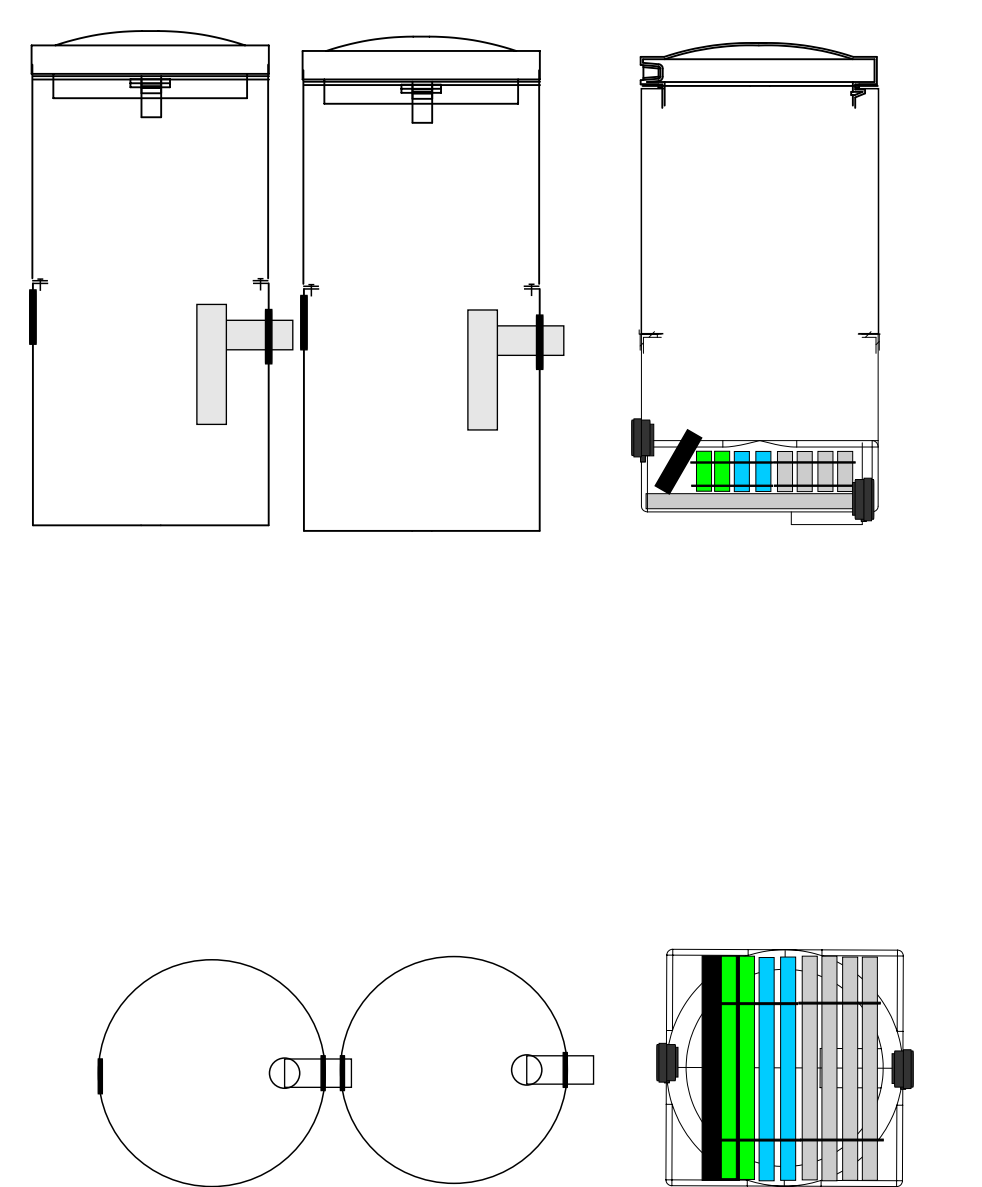
BioBox XL (+) - pakor



Sk100 - BioBox XL (+) - pakor

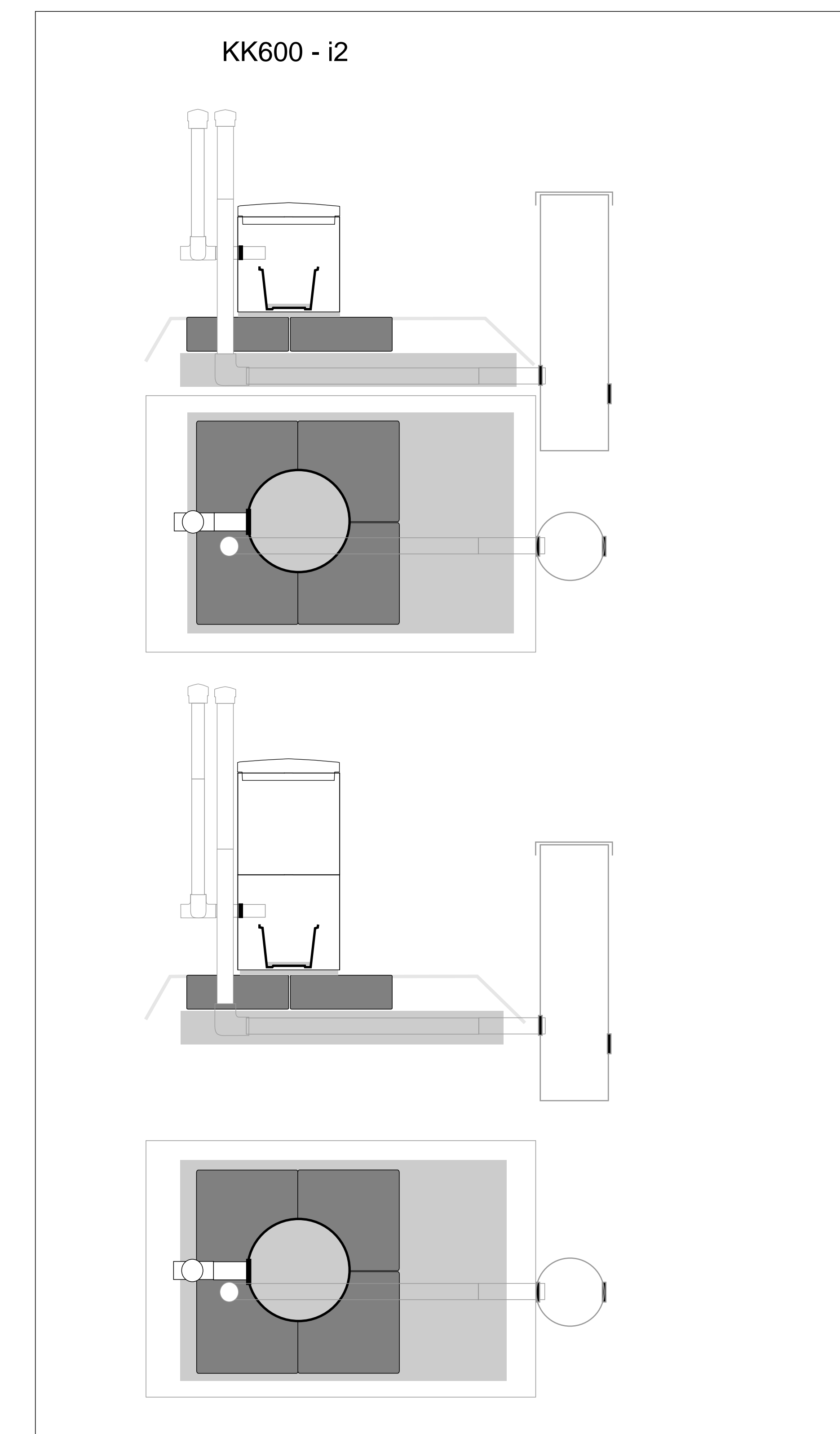
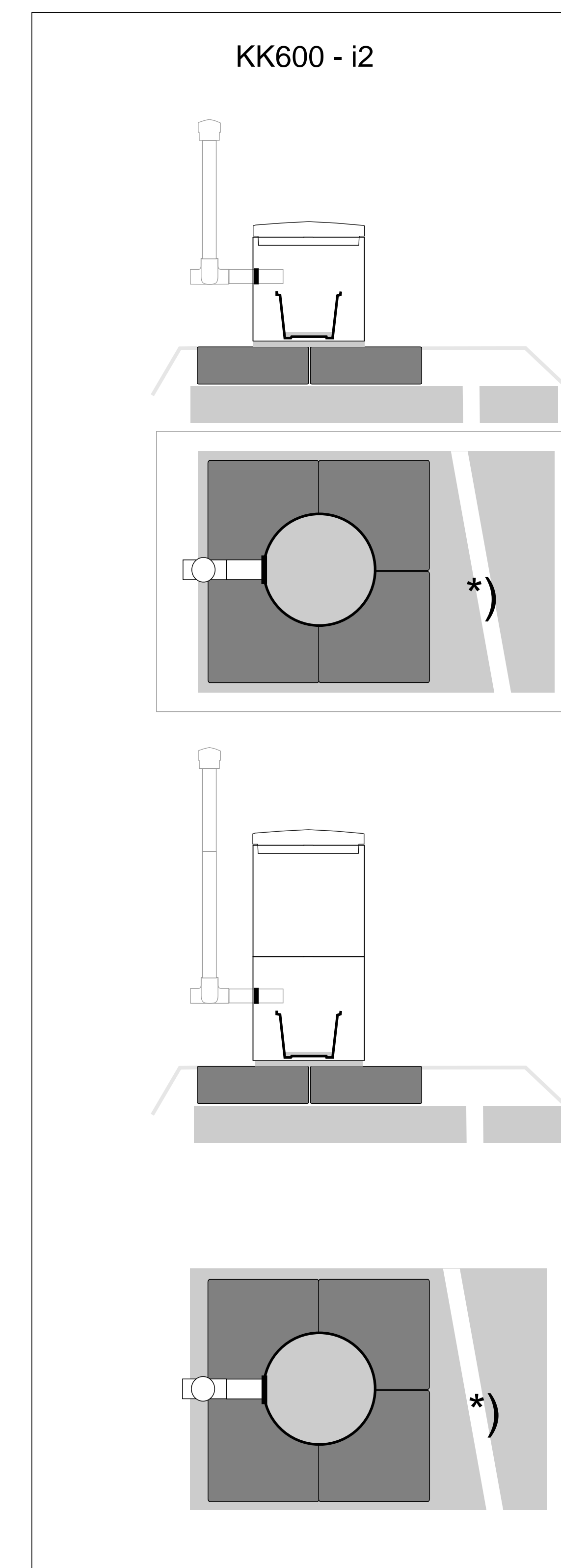
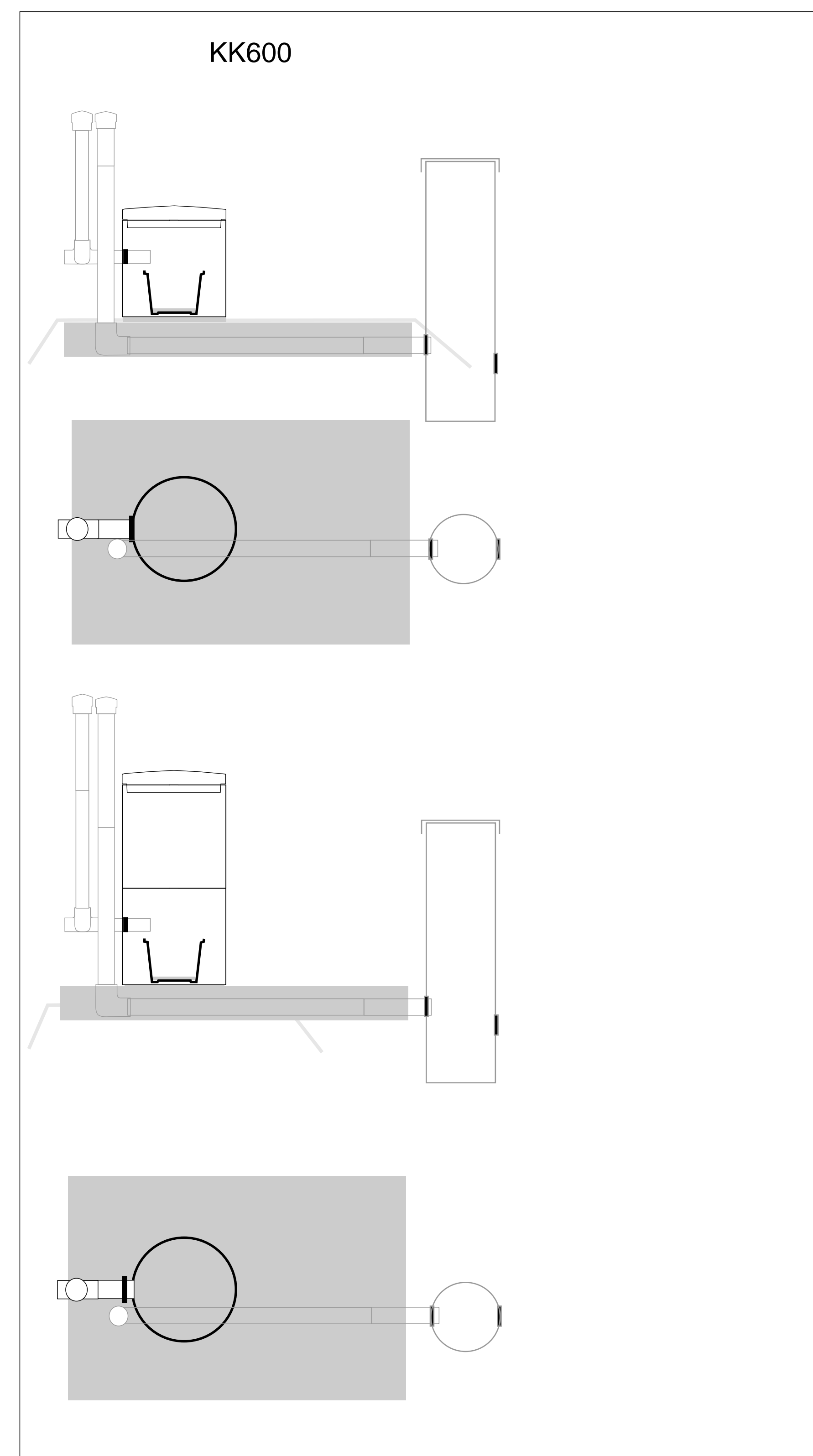
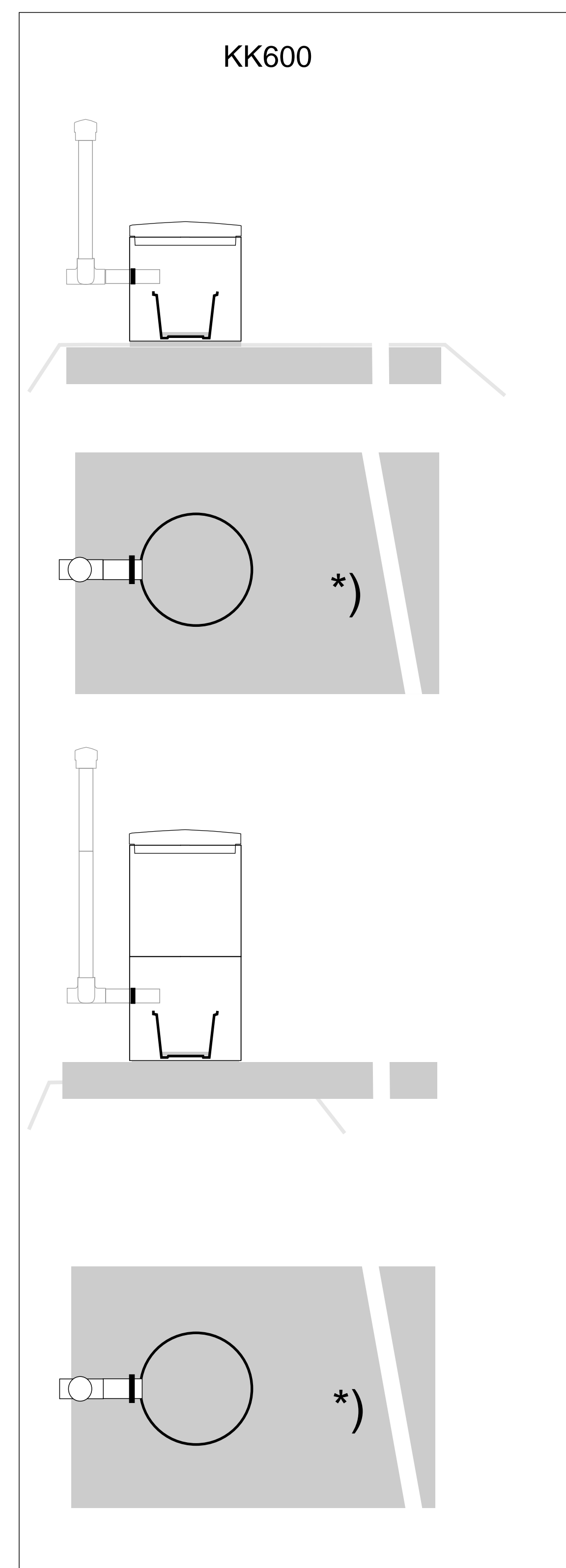


2 x Sk100 - BioBox XL (+)



		Scale:
		1:20
	BioBox XL XL+	2023
raitabiobox.com		





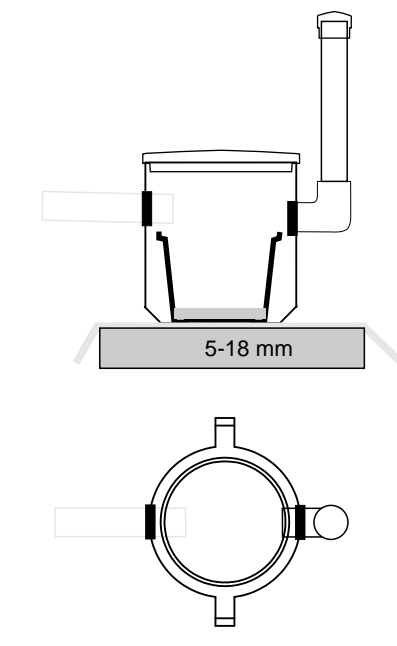
\*)Murske / sepeli 10-20 cm esim. 5-18 mm imeytysalueelle. Imeytysalue (m2) = vesimäärä / maan imeytyskyky (esim 400 l //24 h/ 40 l /24 h = 10 m2)

\*)Gravel / macadam (no fines) eg 5-18 mm for absorption area. Absorption area (m2) = water volume / soil absorption capacity (eg 400 l // 24 h / 40 l / 24 h = 10 m2)

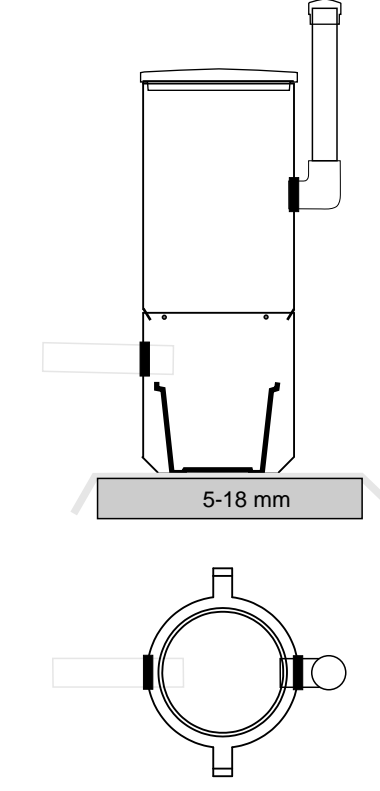
\*)Grus / makadam (inga finämnen) t.ex. 5-18 mm för absorptionsarea. Absorptionsarea (m2) = vattenvolym / jordabsorptionskapacitet (t.ex. 400 l // 24 h / 40 l / 24 h = 10 m2)

	Scale: 1:20
	Moduuli imeytykset - suodatukset 2023
raita.com	

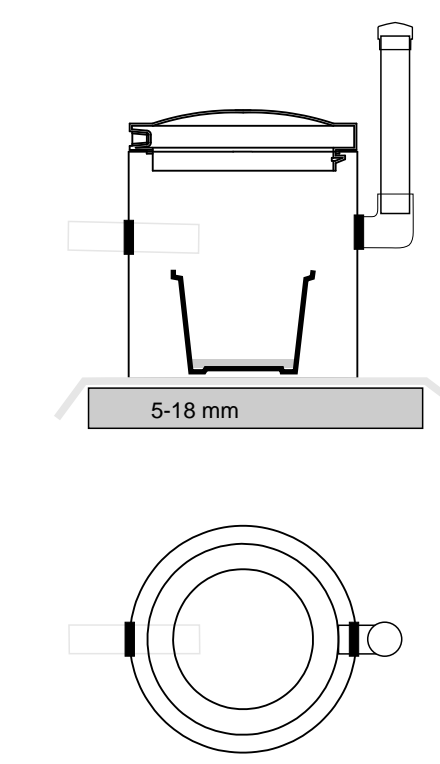
D400 mm | Art no KK 400



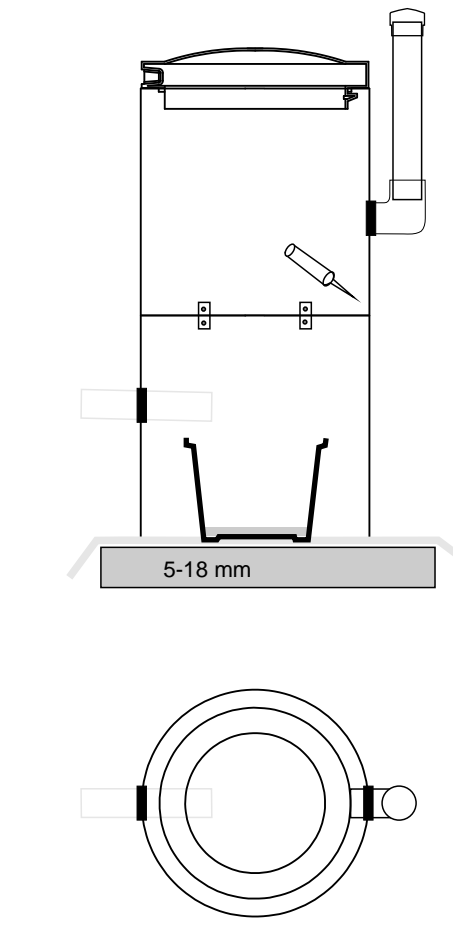
D400 mm + pakor D600 |  
Art no KK 400 + PA KOR 040/43



D600 mm | Art no KK 600



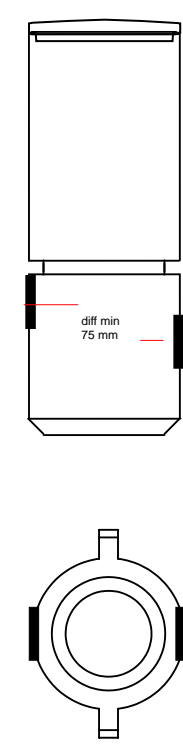
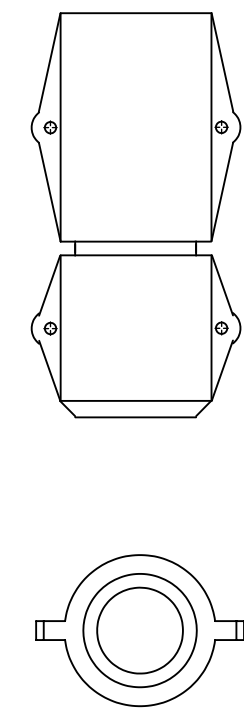
D600 mm + pakor D600 |  
Art no KK 600 + PA KOR 060/60



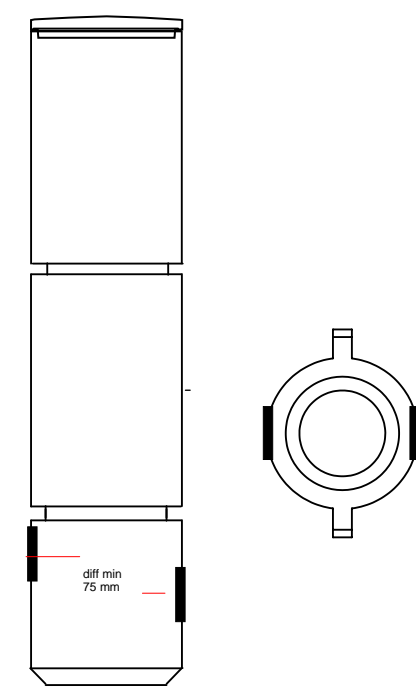
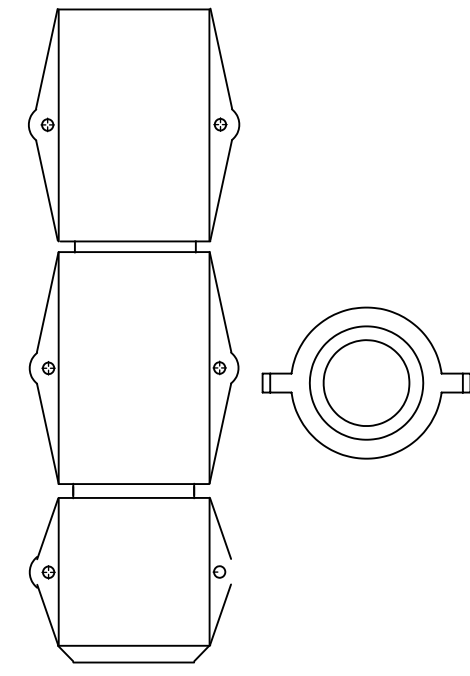
Murske / sepeli 10-20 cm esim. 5-18 mm imeytysalueelle. Imeytysalue (m<sup>2</sup>) = vesimäärä / maan imeytyskyky (esim 400 l // 24 h / 40 l / 24 h = 10 m<sup>2</sup>)  
 Gravel / macadam 10-20 cm (no fines) eg 5-18 mm for absorption area. Absorption area (m<sup>2</sup>) = water volume / soil absorption capacity  
 (eg 400 l // 24 h / 40 l / 24 h = 10 m<sup>2</sup>)  
 Grus / makadam 10-20 cm(inga finämnen) t.ex. 5-18 mm för absorptionsarea. Absorptionsarea (m<sup>2</sup>) = vattenvolym / jordabsorptionskapacitet  
 (t.ex. 400 l // 24 h / 40 l / 24 h = 10 m<sup>2</sup>)

		Scale: 1:20
	IK D 400-	2022
raita.com		

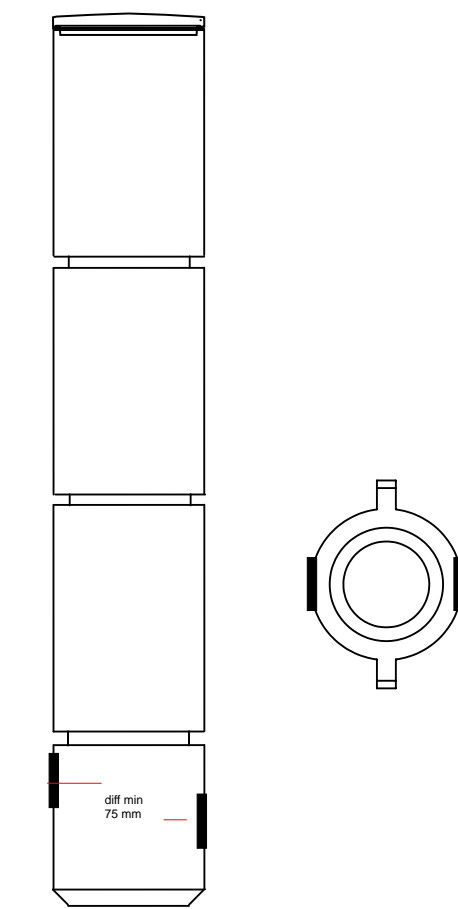
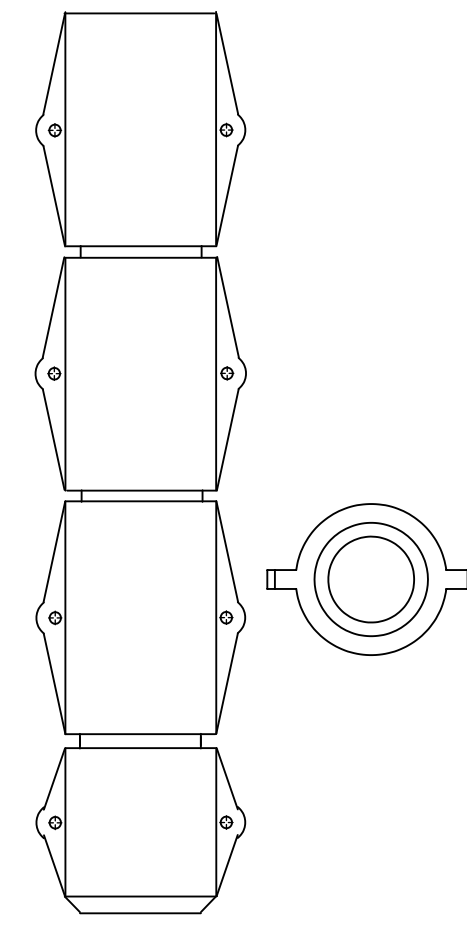
D400\_H1070



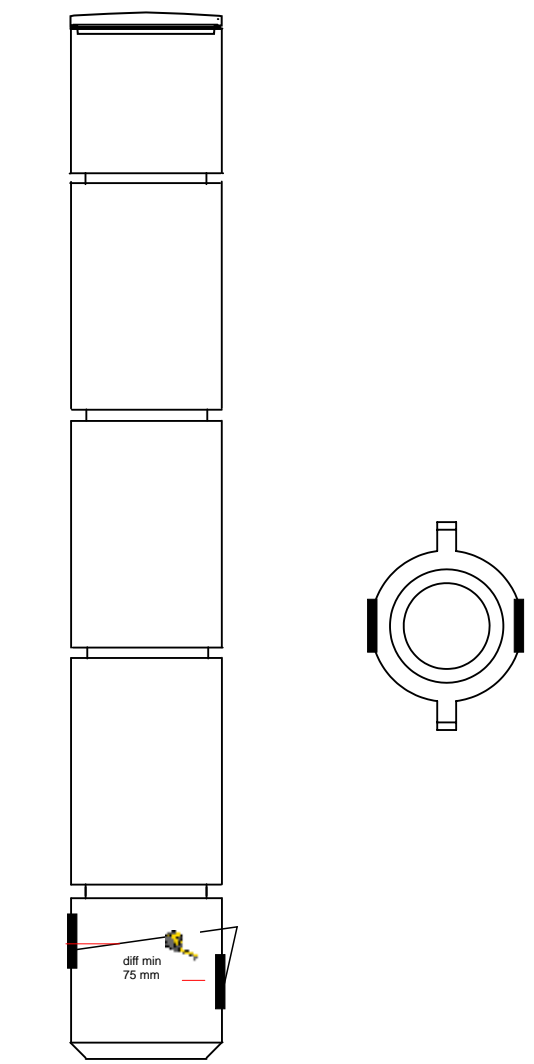
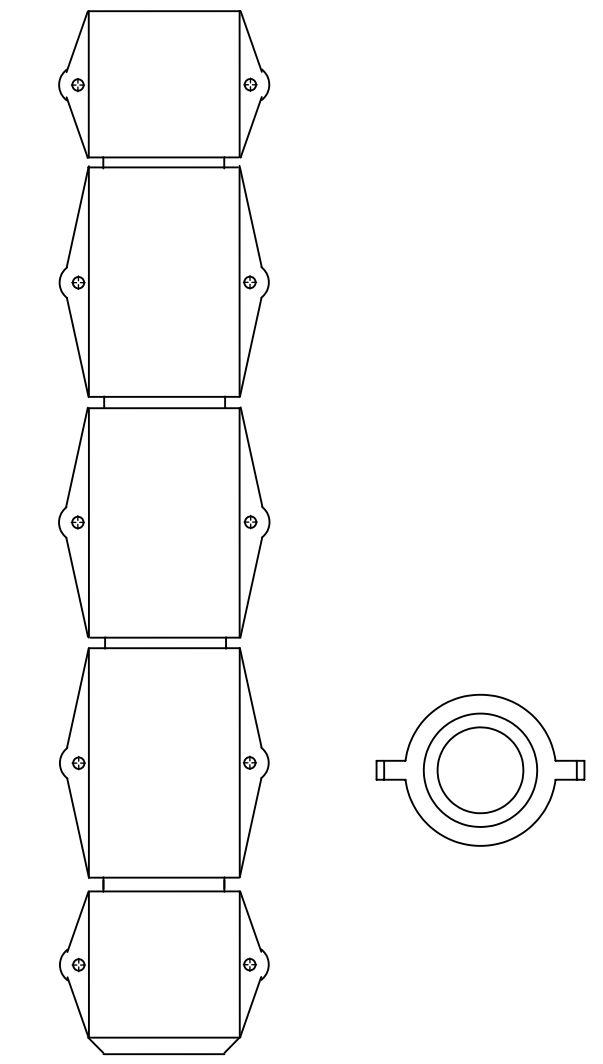
D400\_H1730



D400\_H2380



D400\_H2760

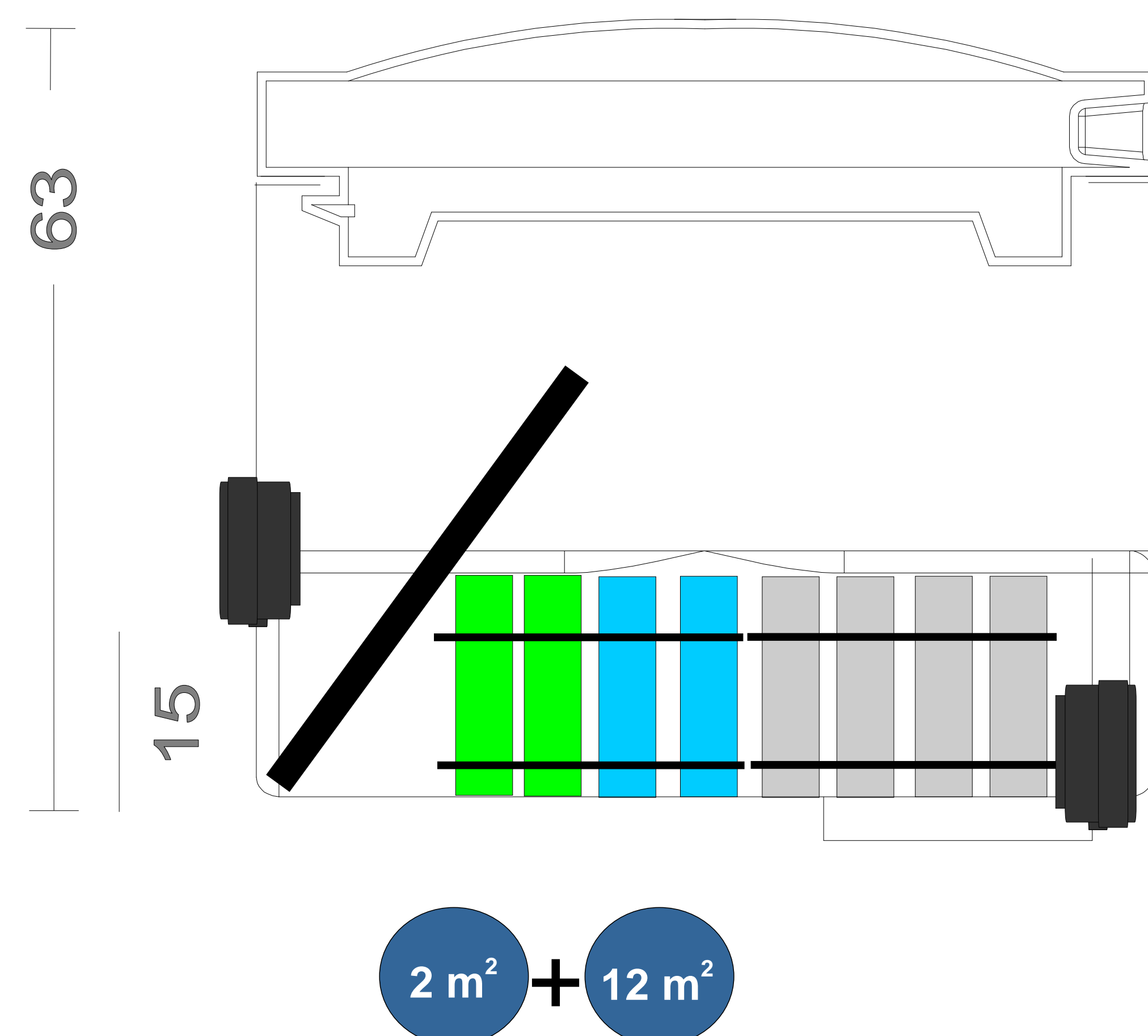


		Scale:
		1:20
	KK D 400-	2022
raita.com		

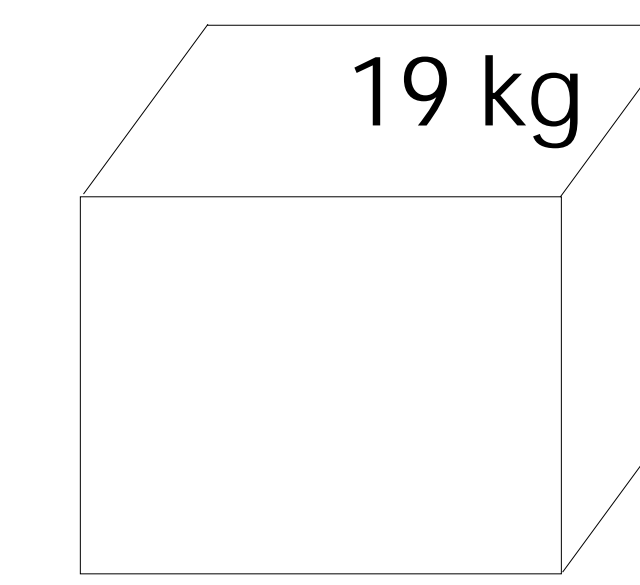




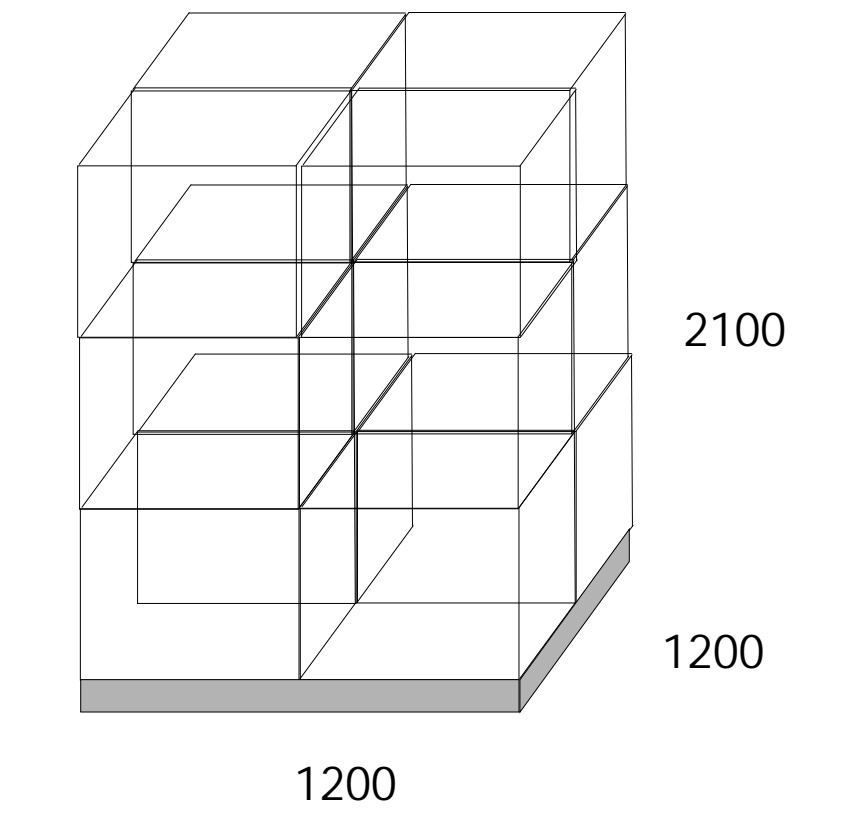
q-max 400l/ 24 h - 50 l/ h



# BioBox M



600x600x850



1 pc size 600x600x630 mm  
12 pcs size 1200x1200x2100 (with pallet)

**Malli, varustetaso, lisävarusteet:**

Malli	Kapasiteetti l/ 24 h	SK 420	SK600	SK1200 SAV	BM	Pakor
Bio-Box M	400	+	+	+	+	+

**Modell, utrustningsnivå, tilläggsutrustning::**

Modell	Kapasitet l/ 24 h	SK 420	SK600	SK1200 SAV	BM	Pakor
Bio-Box M	400	+	+	+	+	+

**Model, equipment level, auxiliary equipment:**

Model	Capacity l/ 24 h	SK 420	SK600	SK1200 SAV	BM	Pakor
Bio-Box M	400	+	+	+	+	+

		Scale:
raitabiobox.fi		BioBox M
		2021



# BioBox M

q-max 400l/ 24 h - 50 l/ h

**Malli, varustetaso, lisävarusteet:**

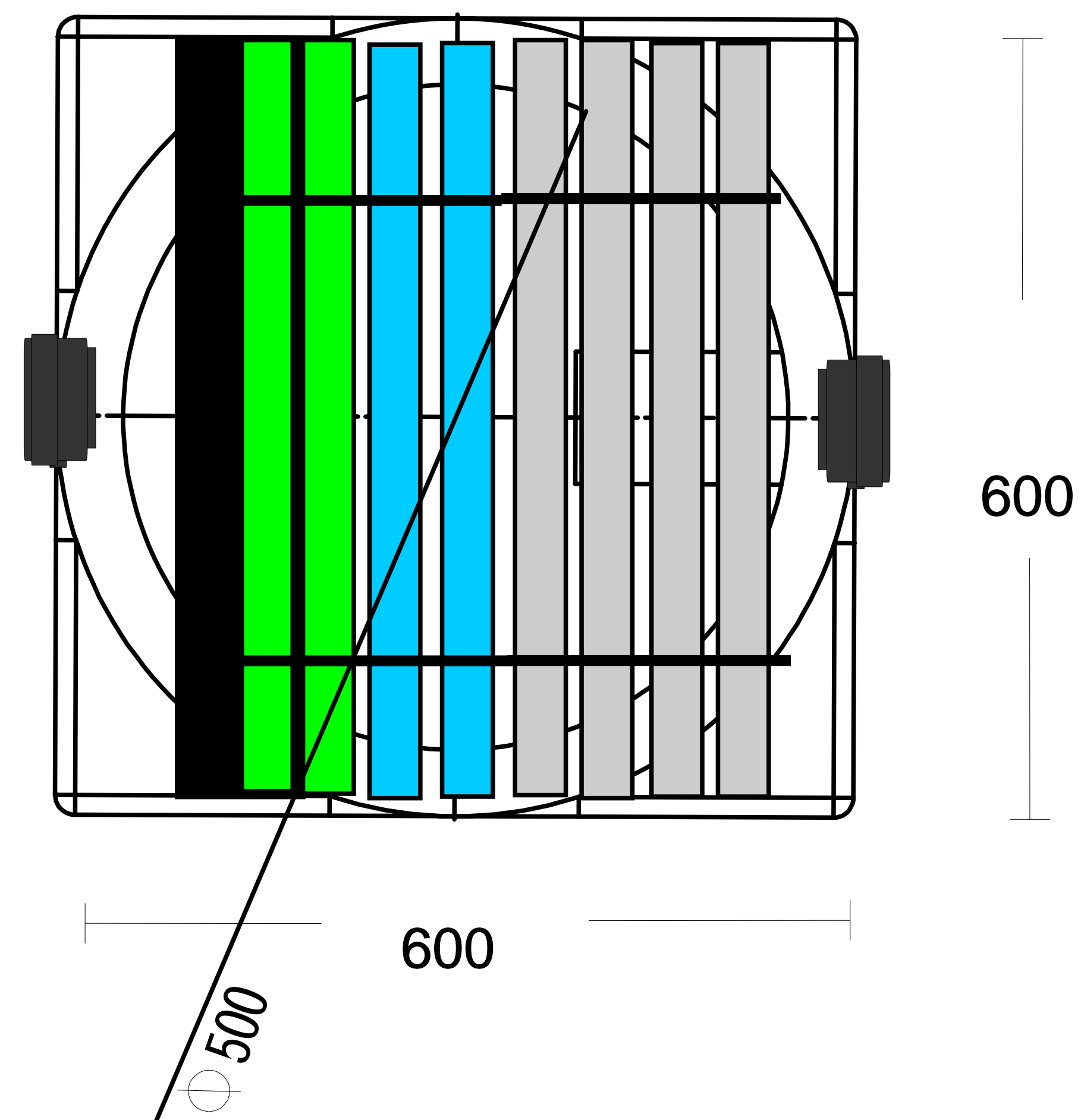
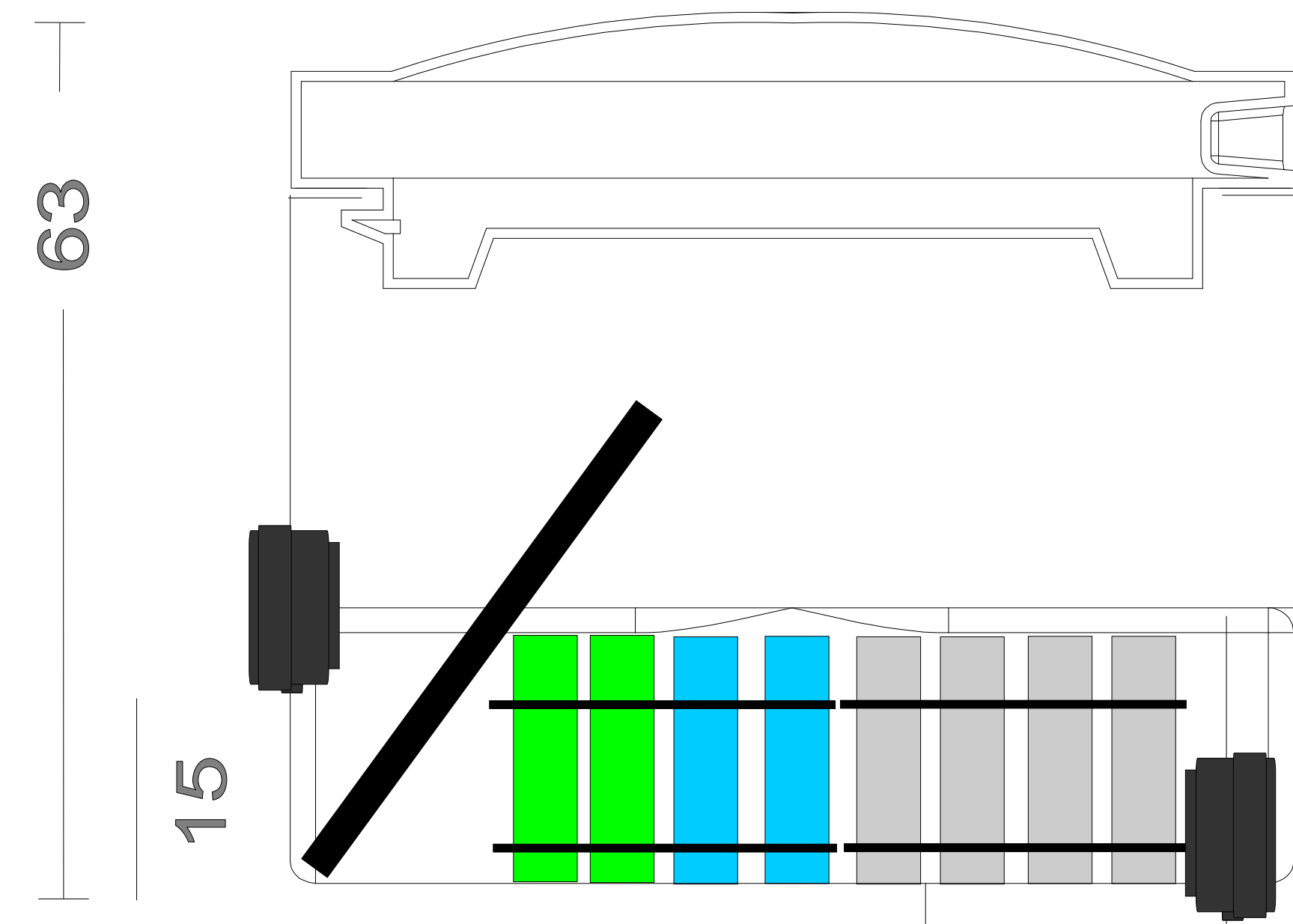
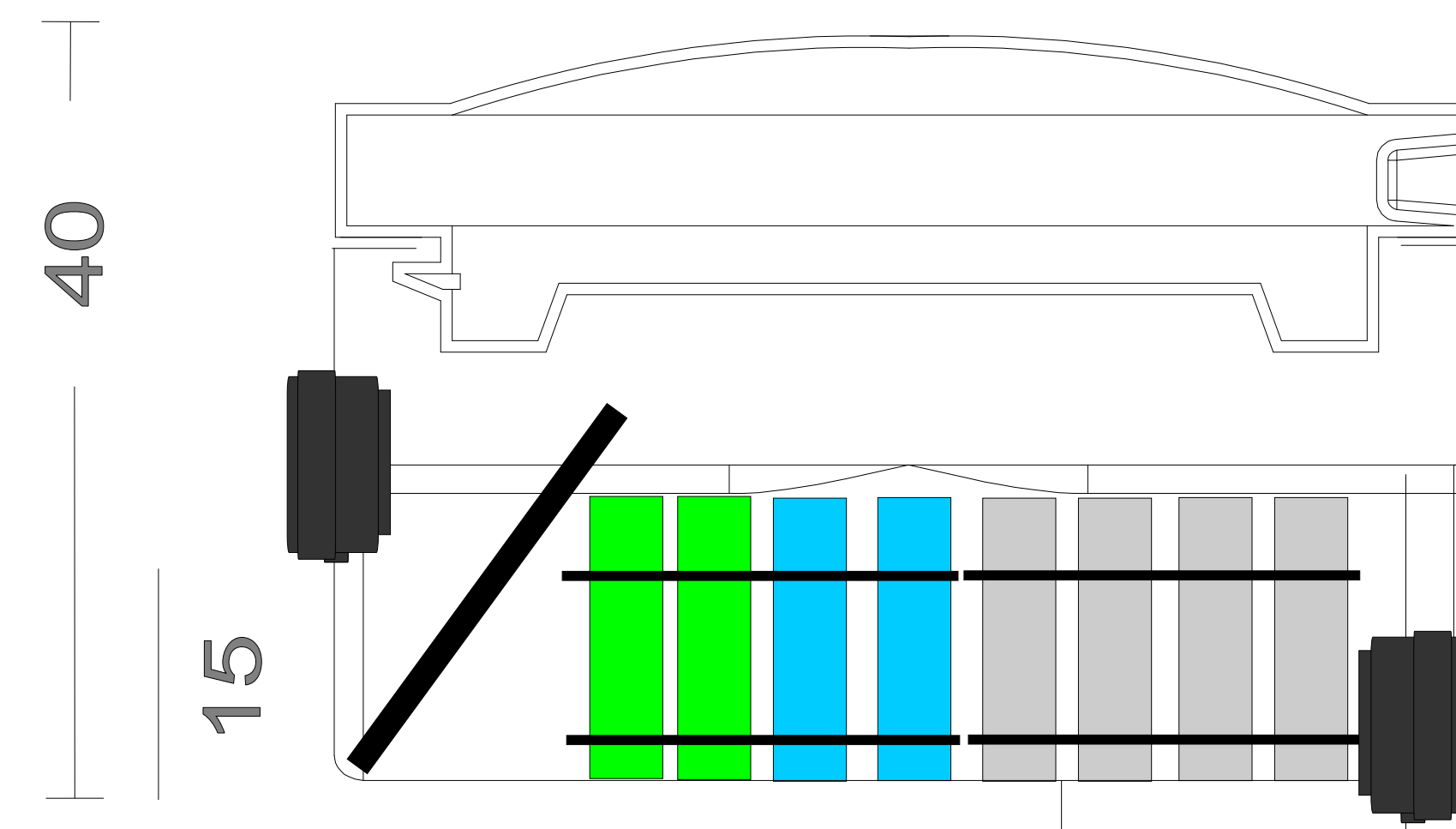
Malli Kapasiteetti l/ 24 h  
 Bio-Box L 400

**Modell, utrustningsnivå, tilläggsutrustning::**

Modell Kapasitet l/ 24 h  
 Bio-Box L 400

**Model, equipment level, auxiliary equipment:**

Model Capacity l/ 24 h  
 Bio-Box L 400



		Scale:
	BioBox M	2021
raitabiobox.fi		

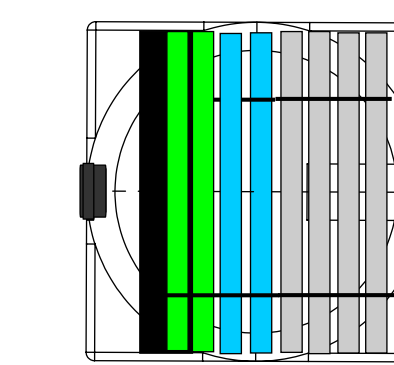
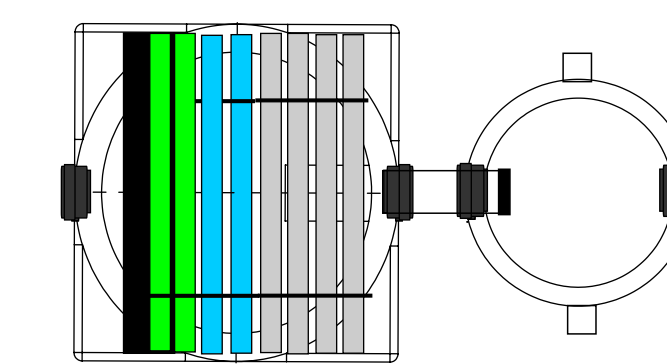
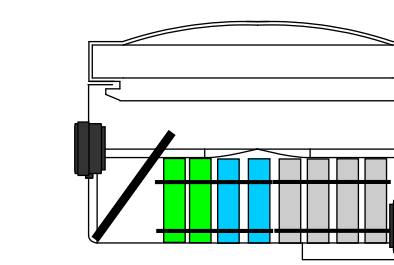
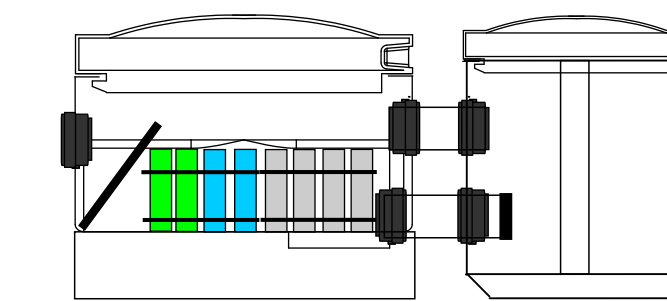
# BioBox SLIM + RetWell 100

q-max 400l/ 24 h - 100 l/ h

**Malli, varustetaso, lisävarusteet:**  
Malli Kapasiteetti l/ 24 h  
Bio-Box L 400

**Modell, utrustningsnivå, tillägsutrustning::**  
Modell Kapasitet l/ 24 h  
Bio-Box L 400

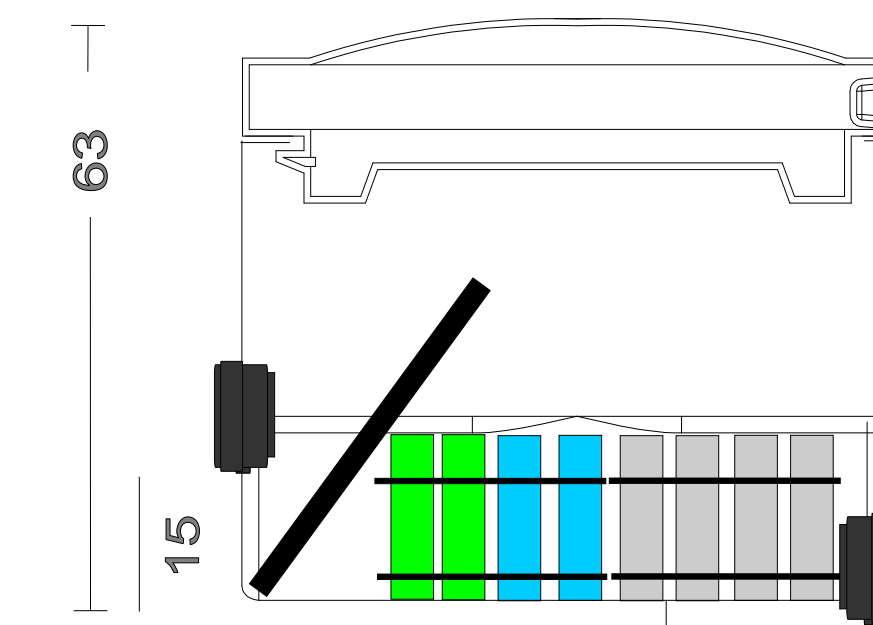
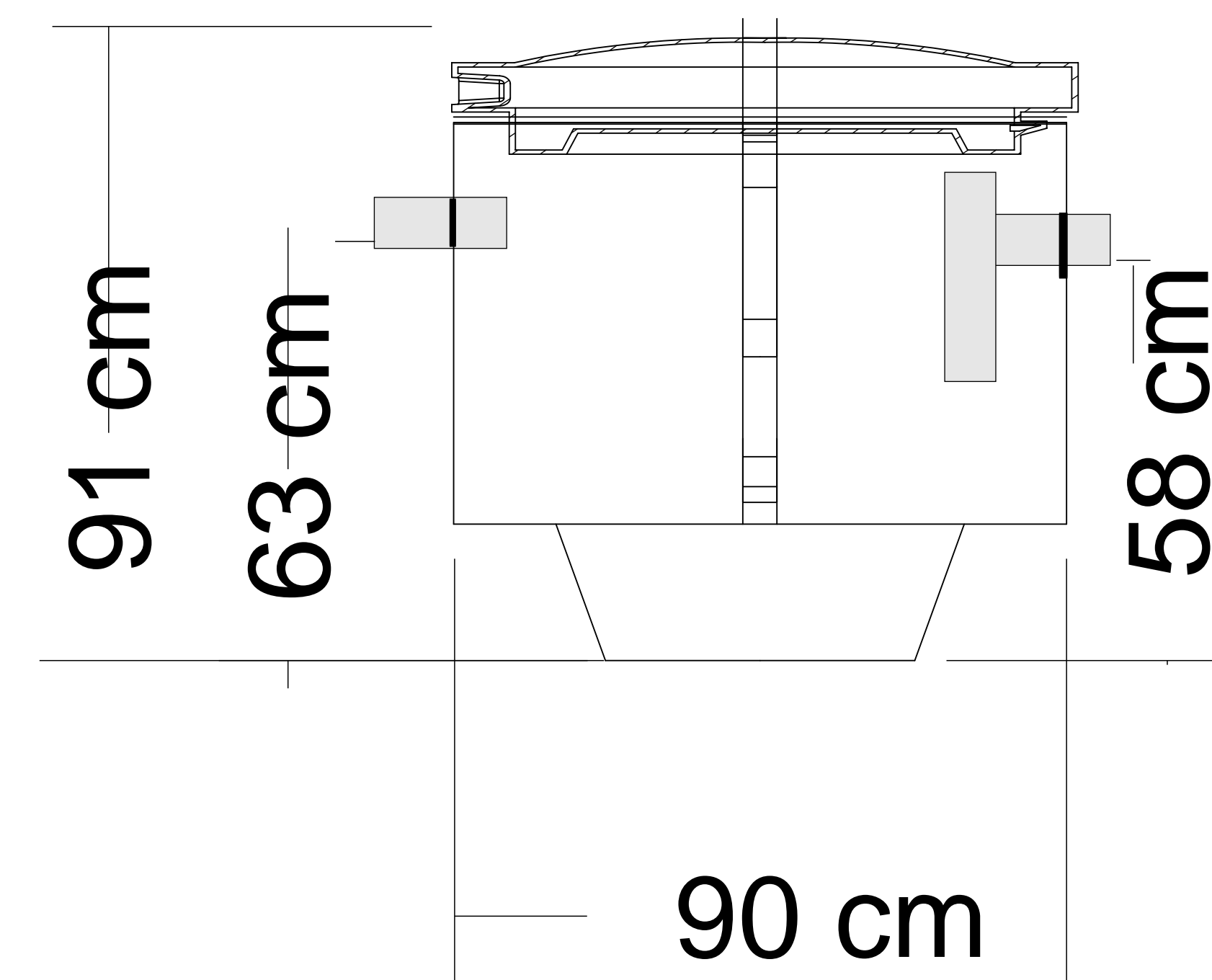
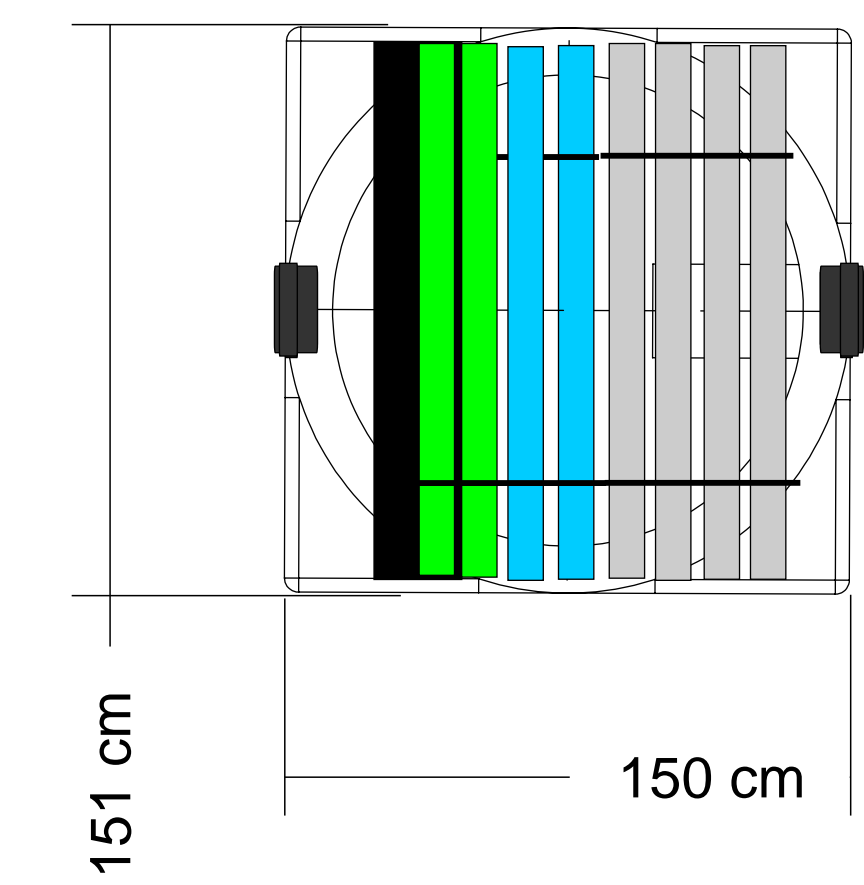
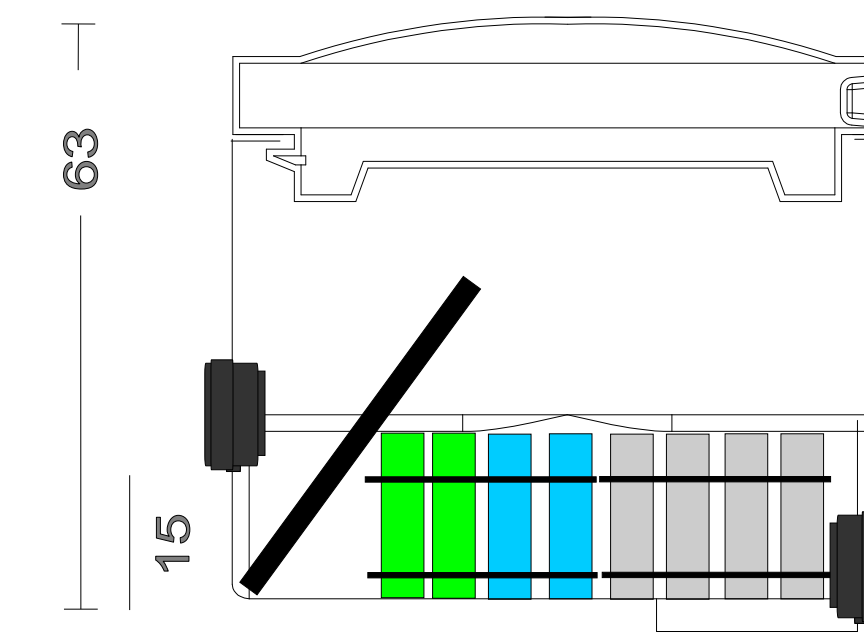
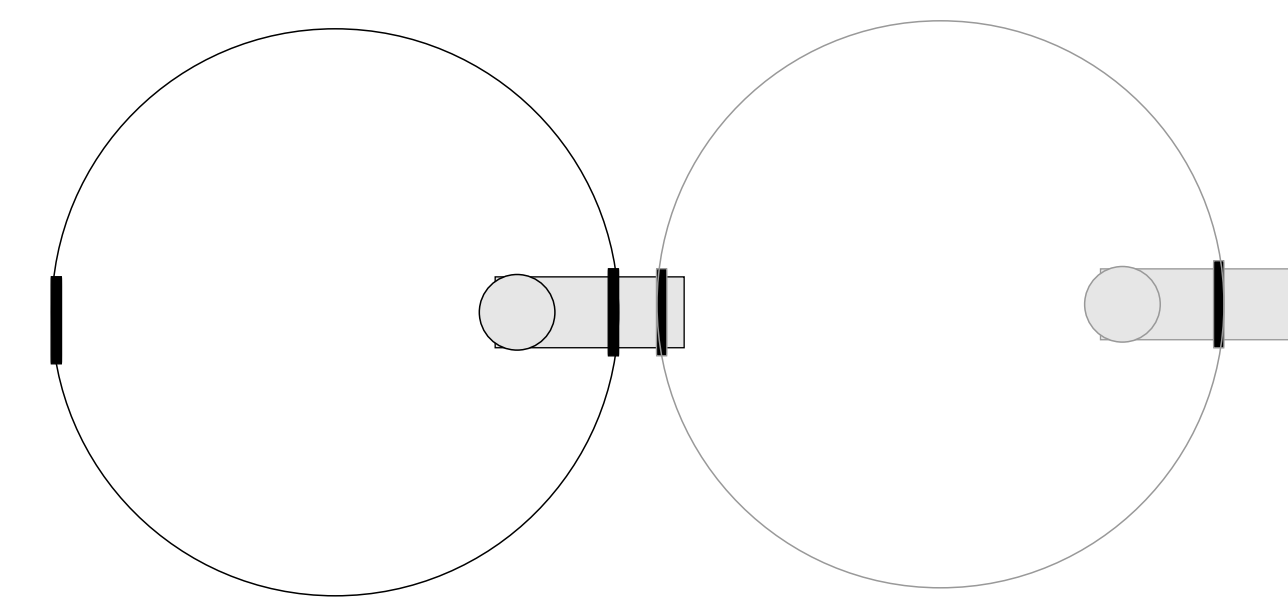
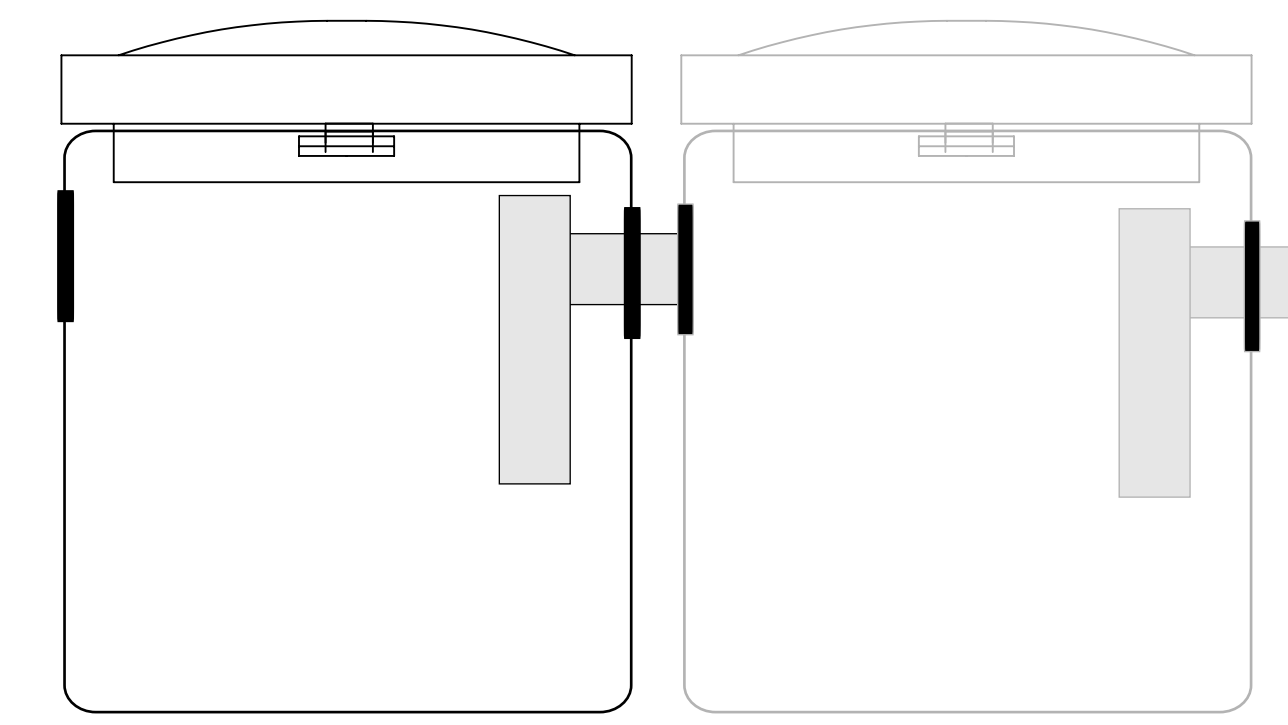
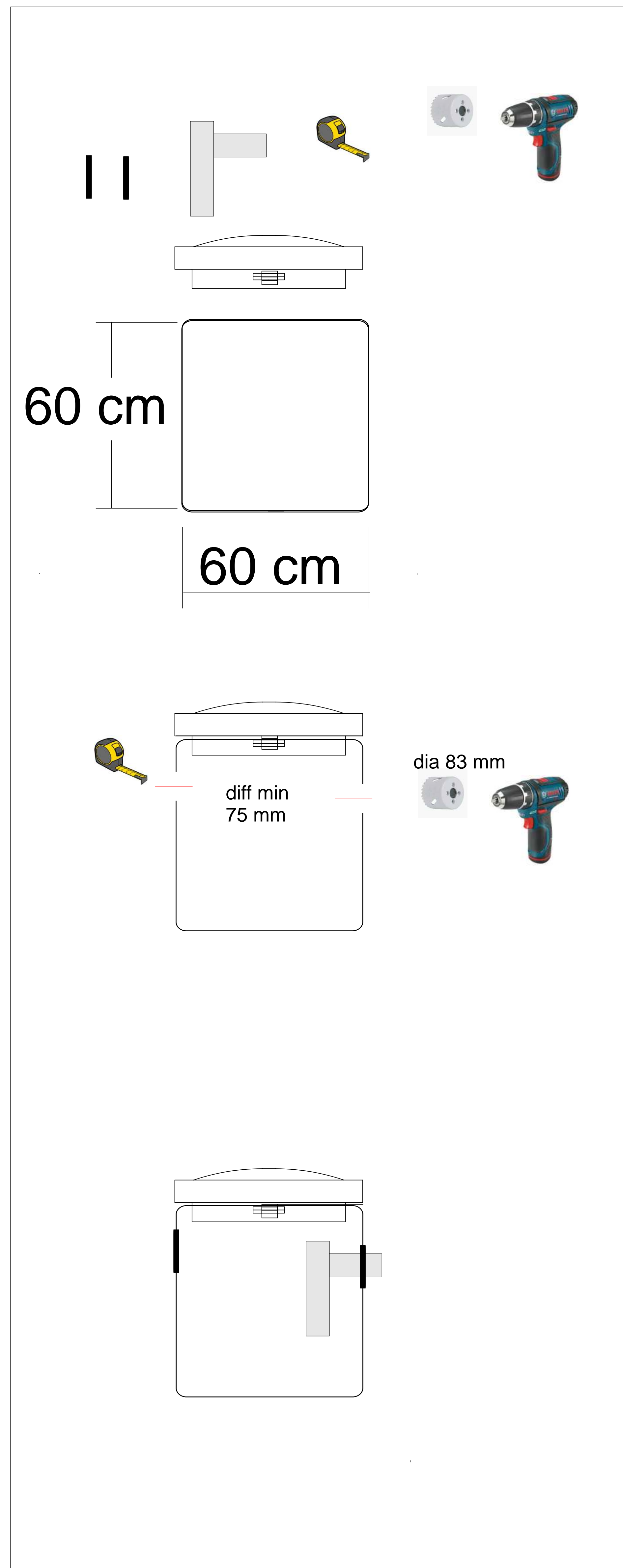
**Model, equipment level, auxiliary equipment:**  
Model Capacity l/ 24 h  
Bio-Box L 400



		Scale:
	BioBox SLIM + RW 50	2021
raitabiobox.fi		

# Sk100 / Sk2x100 / Sk250 + BioBoxM

q-max 400 l / 24 h - 50 l / h



		Scale:
	BioBox M	2023
raitabiobox.fi		



# BioBox M

sbio\_w

## Lämmityskaapeli paketti | Heating cable package | Värmekabelpaket:

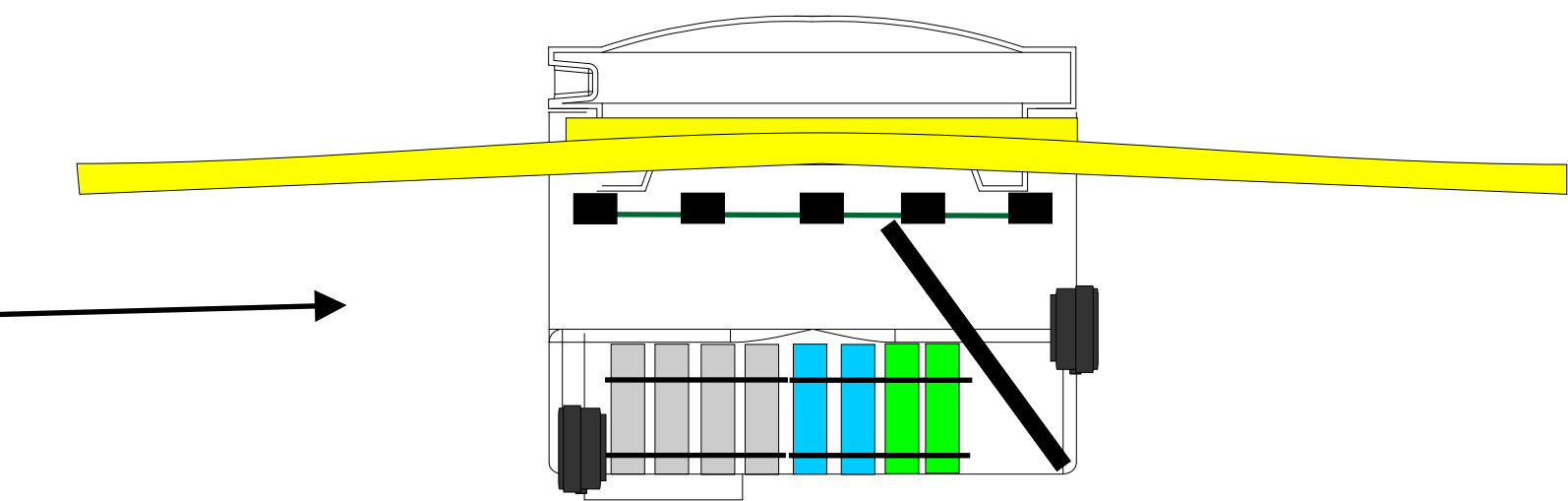
2m + 2m -40 °C.....+65 °C 230 V AC 50 Hz 16A – 10 W/m | clips10 pcs | cable seal 1 pcs



2m + 2m -40 °C.....+65 °C 230 V AC 50 Hz 16A – 10 W/m | clips10 pcs | cable seal 1 pcs

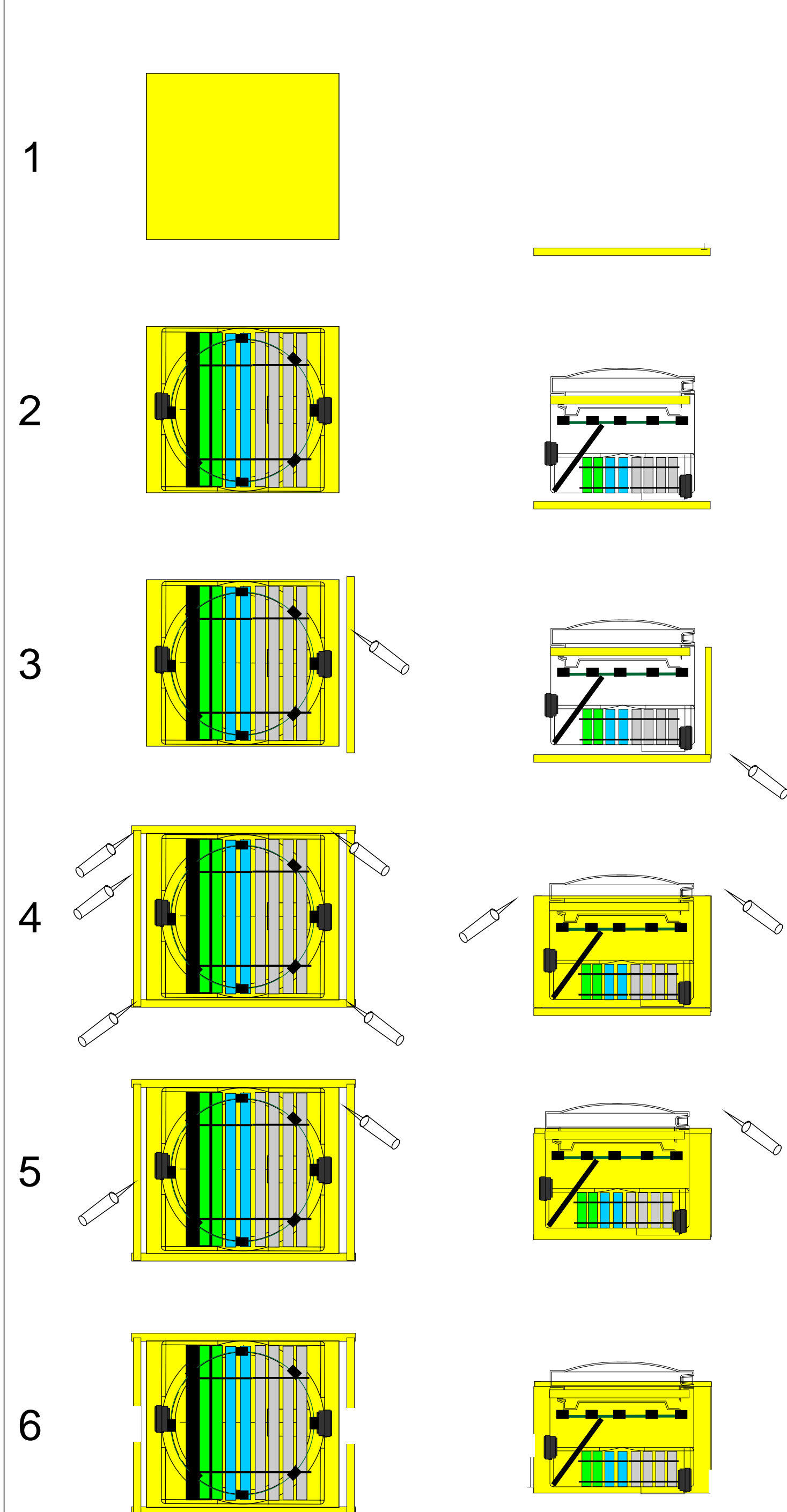
## sbio\_m\_e2

eristepaketti maanalla | isolationspaket under markytan | isolationpackage under the earth surface

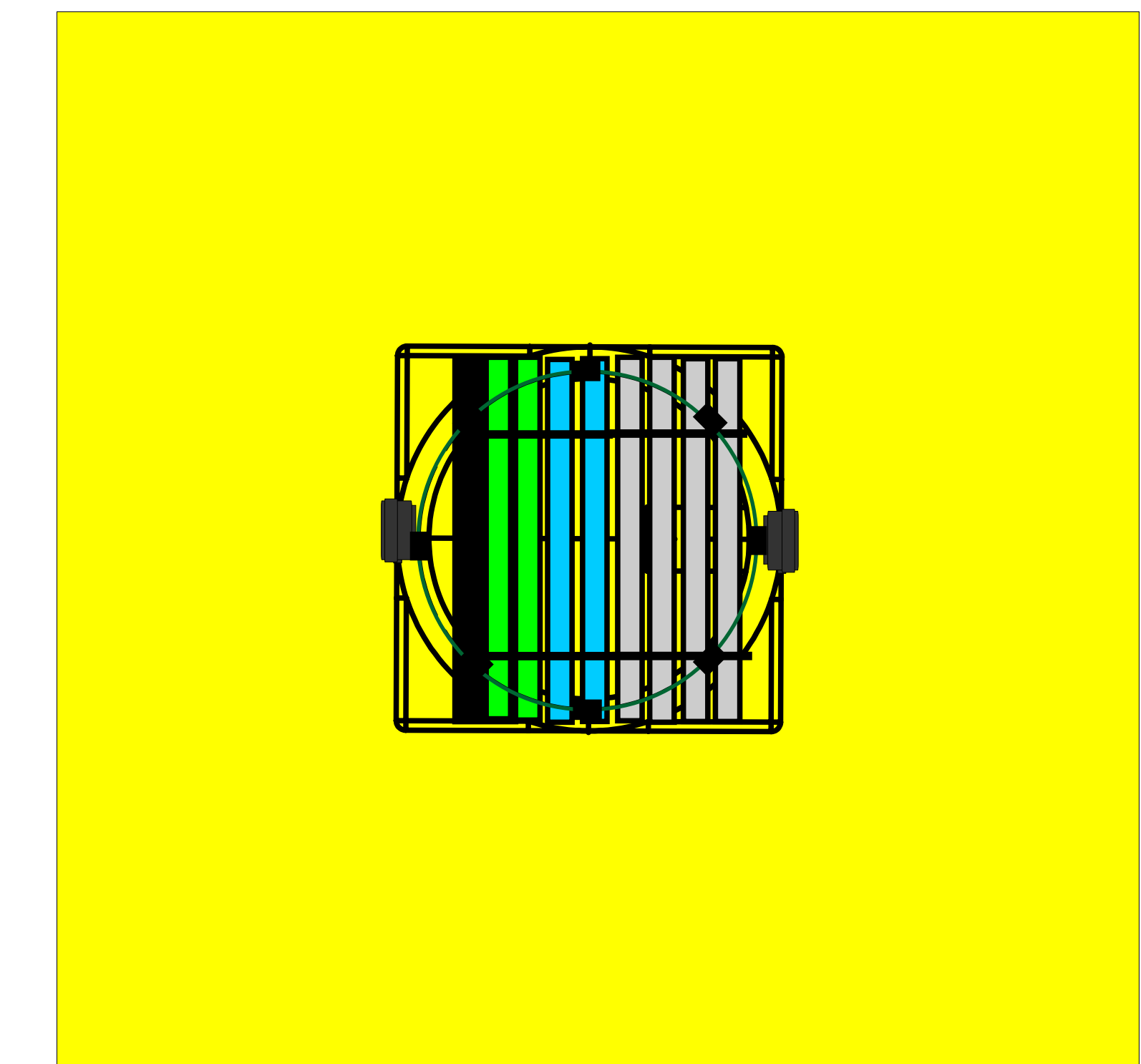


## sbio\_m\_er1

eristepaketti maanpäälle | isolationspaket ovanpå markytan | isolationpackage over the earth surface



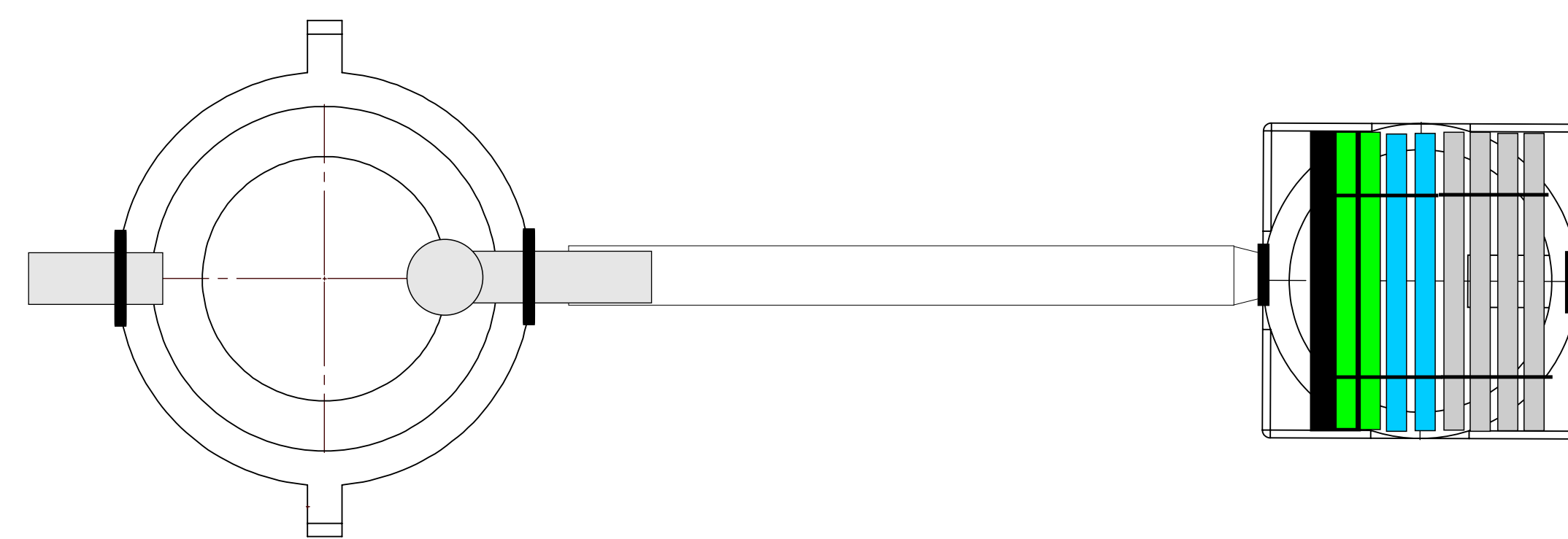
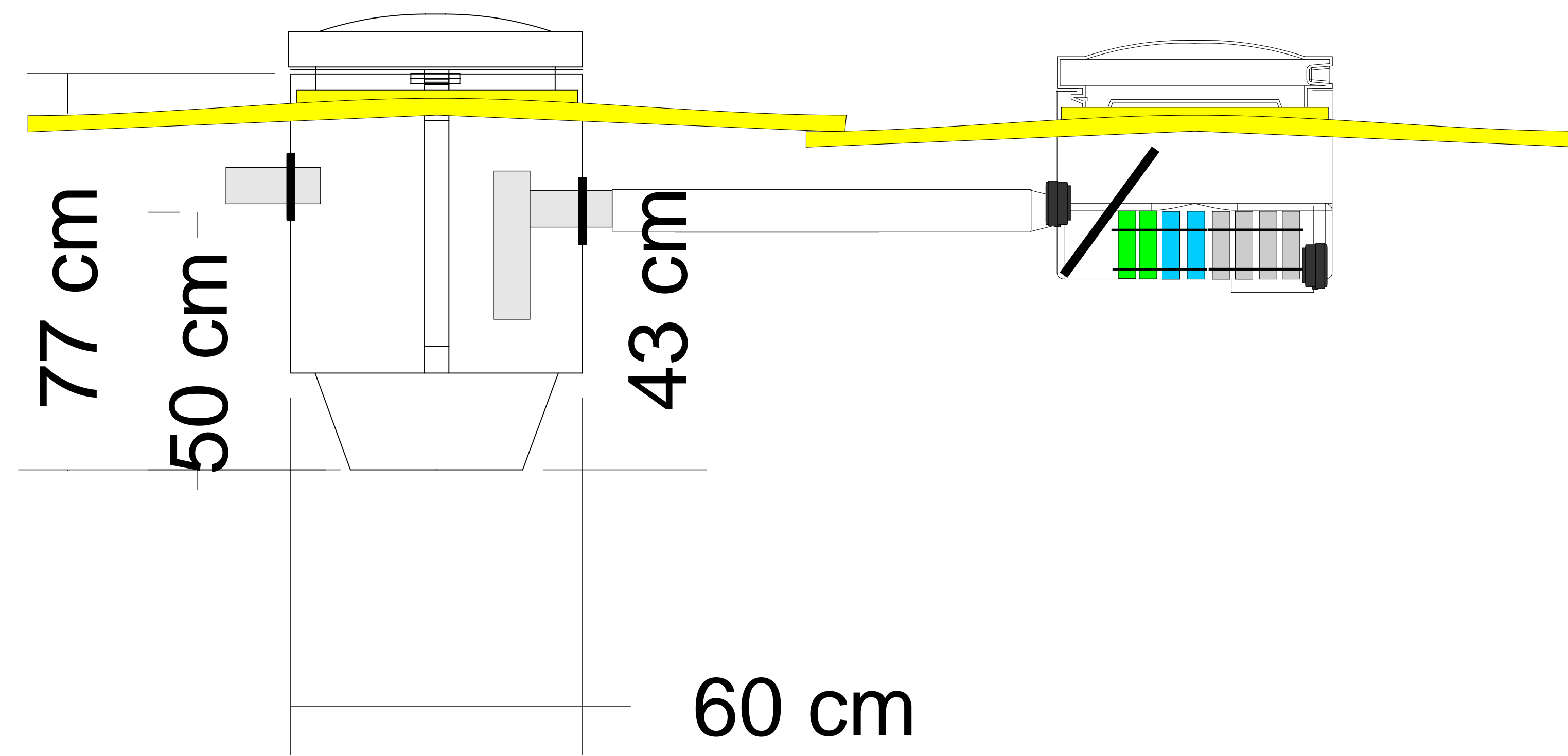
- pohja, bottom, botten 700x700 mm (-140x270 mm pois, off, av (out)t) - 50 mm (finnfoam)
- päädyt, ends, ändarna 370x600 mm x 2 + D 92 mm - 50 mm (finnfoam)
- seinät, wall, väggarna 370x700 mm x 2 + - 50 mm (finnfoam)
- kansi, cover, lock 700x700 mm - D610 reikä, hole, öppning - 50 mm (finnfoam)
- pyöreä kansi, round cover, rund lock 2x D600 - 15 mm (ppfoam)
- uretan 500 ml



		Scale:
	BioBox M	2021
raitabiobox.fi		

# Sk100 + BioBoxM

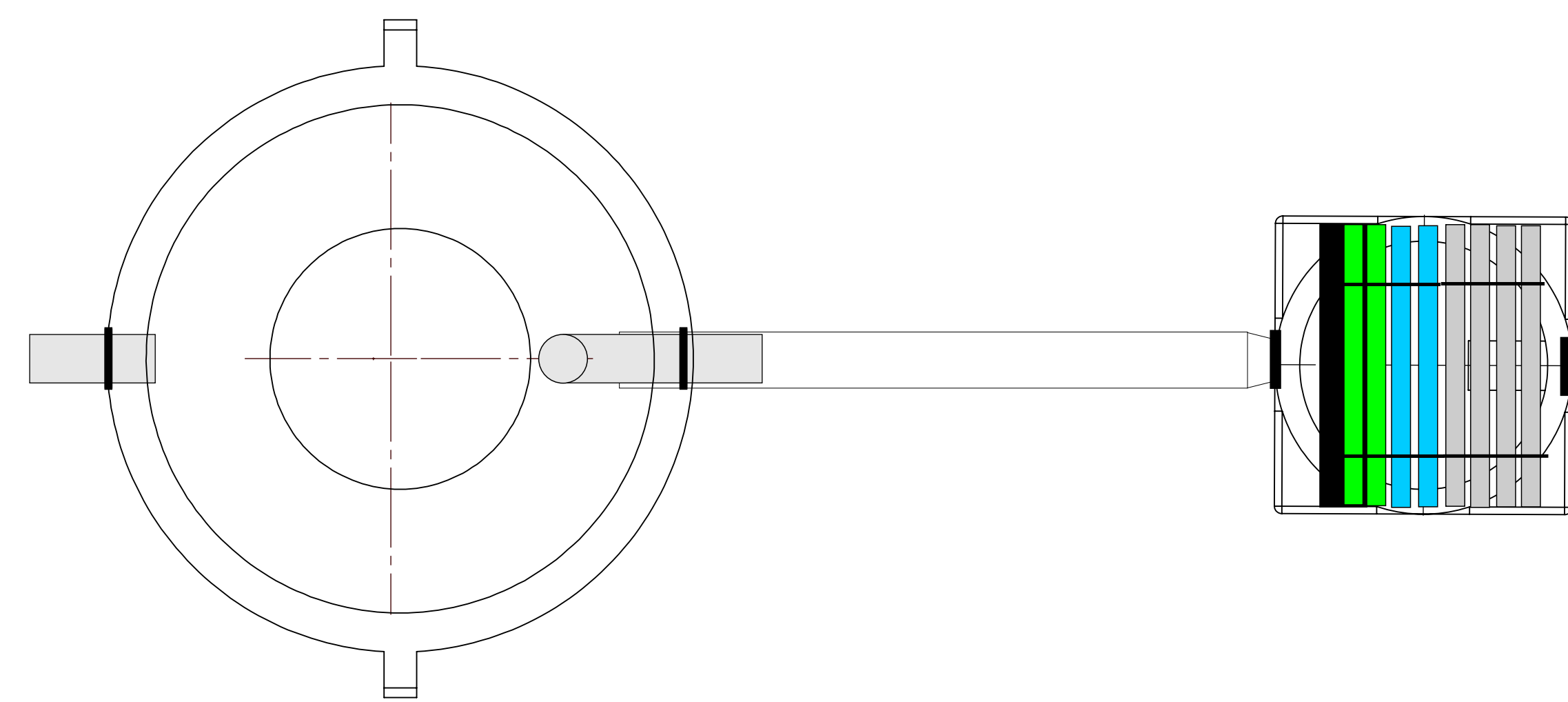
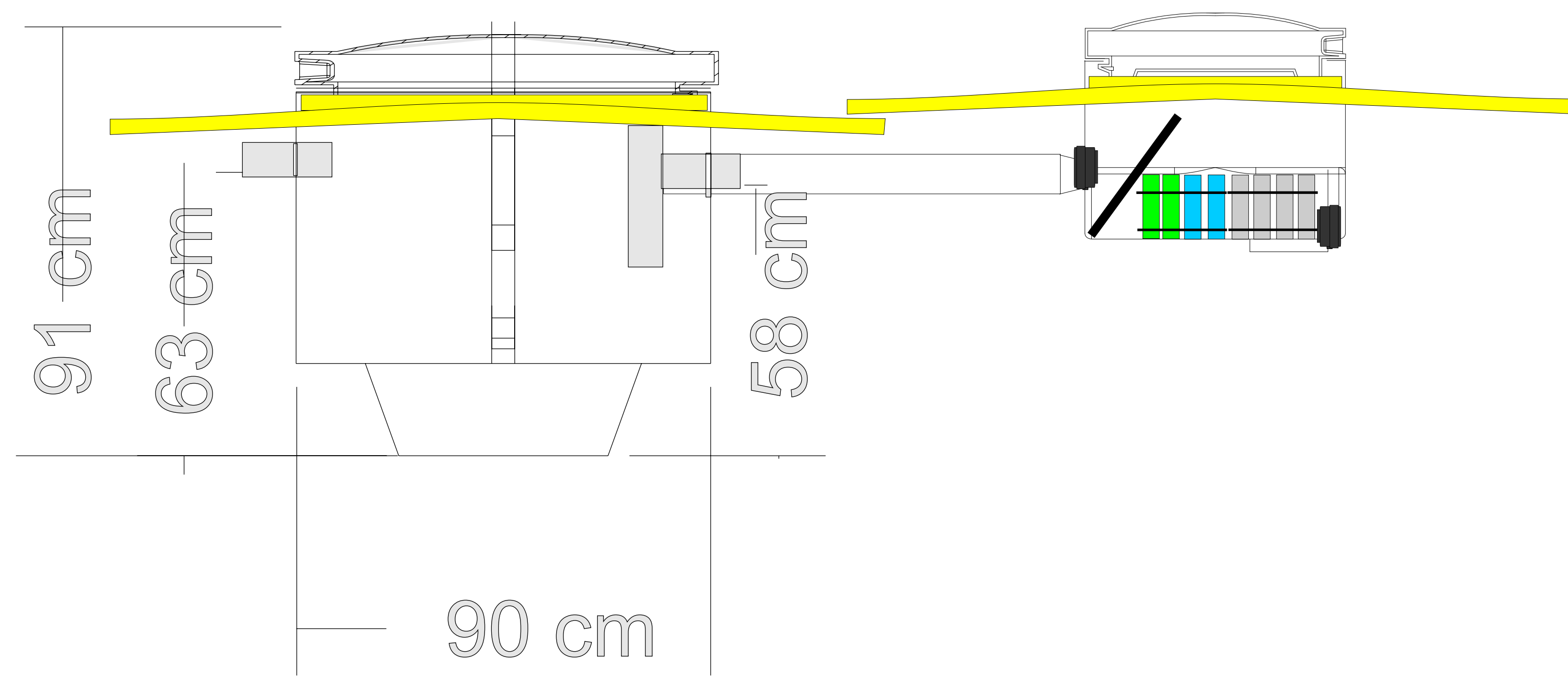
q-max 400 l / 24 h - 80 l / h



		Scale:
	BioBox M	2021
raitabiobox.fi		

# Sk250 + BioBoxM

q-max 400 l / 24 h - 100 l / h

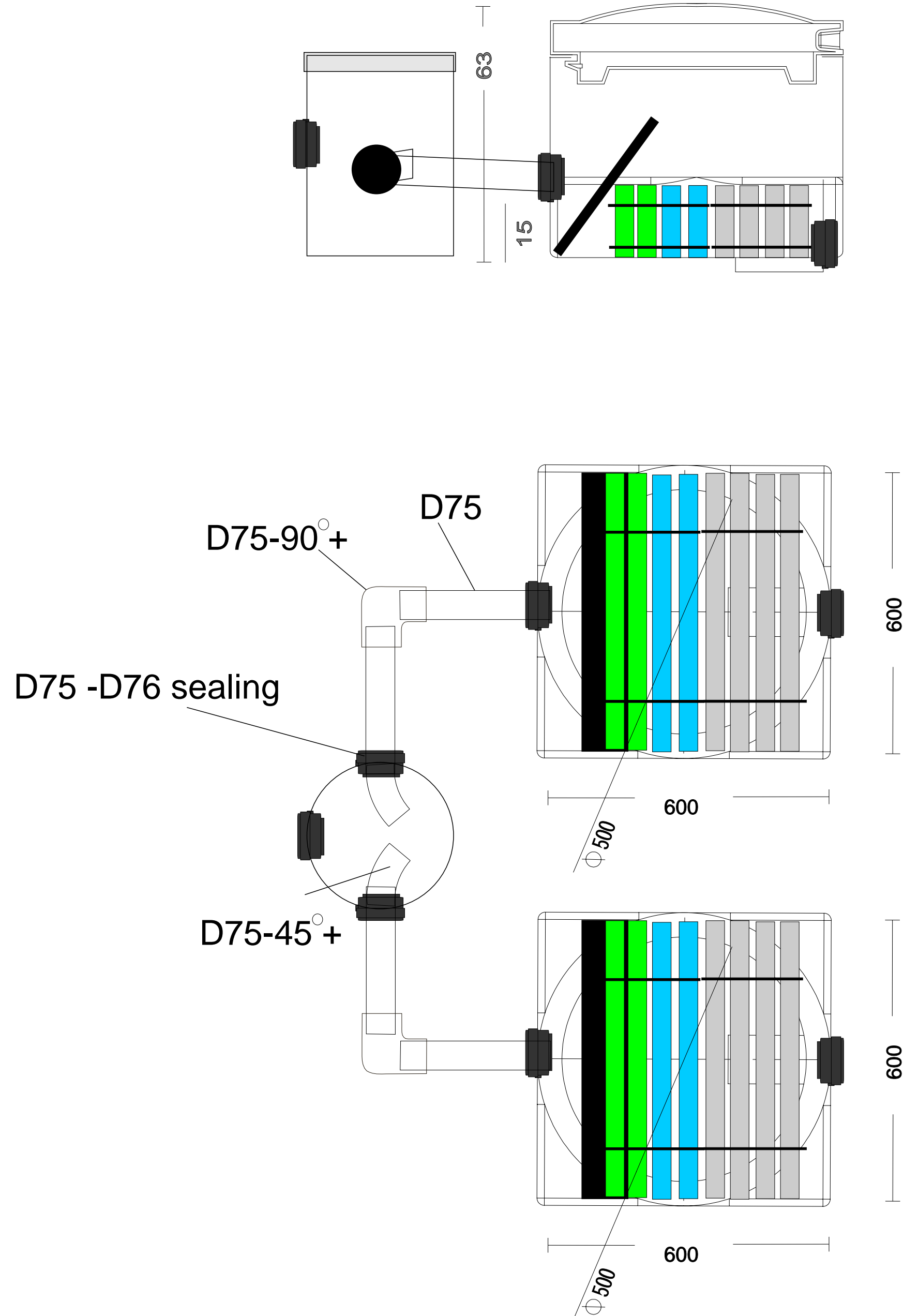


		Scale:
	BioBox M	2021
<a href="http://www.raita.com">www.raita.com</a>		

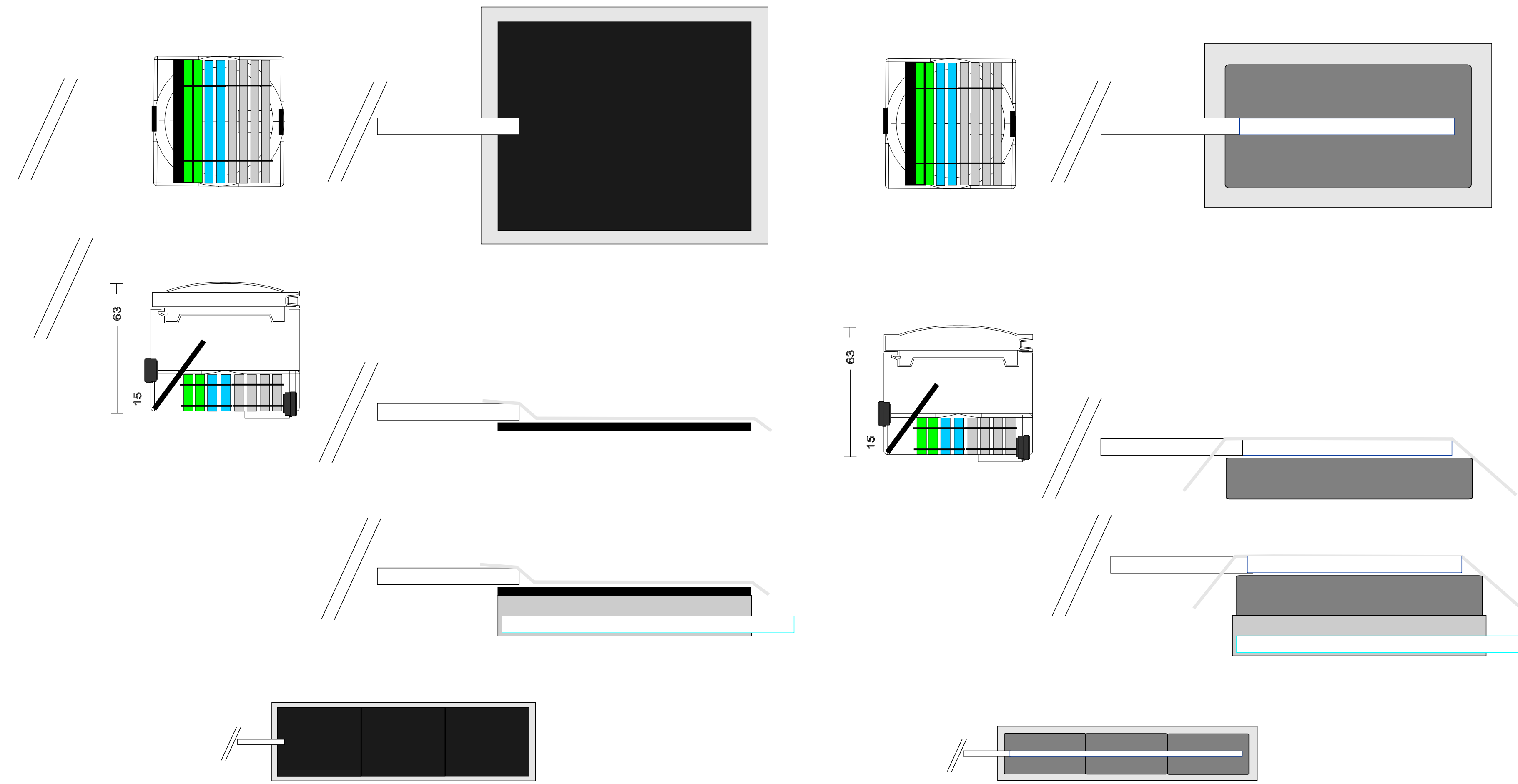


# BioBox M x 2

q-max 800l/ 24 h - 100 l/ h



		Scale:
	BioBox M	2018
raitabiobox.fi		



**Malli, varustetaso, lisävarusteet:**

Malli	Kapasiteetti l/ 24 h	SK 420	SK600	SK1200 SAV	BM	Pakor
Bio-Box L	400	+	+	+	+	+

**Modell, utrustningsnivå, tillägsutrustning::**

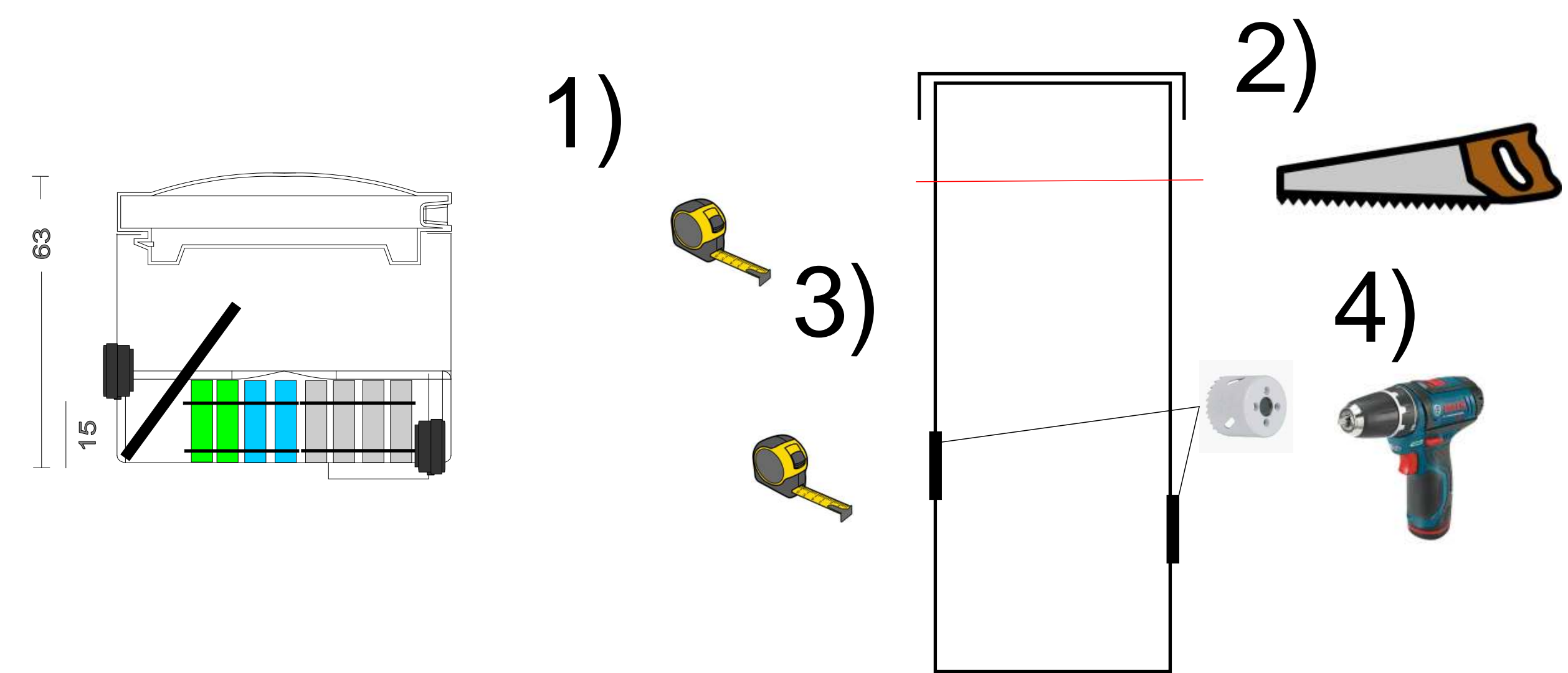
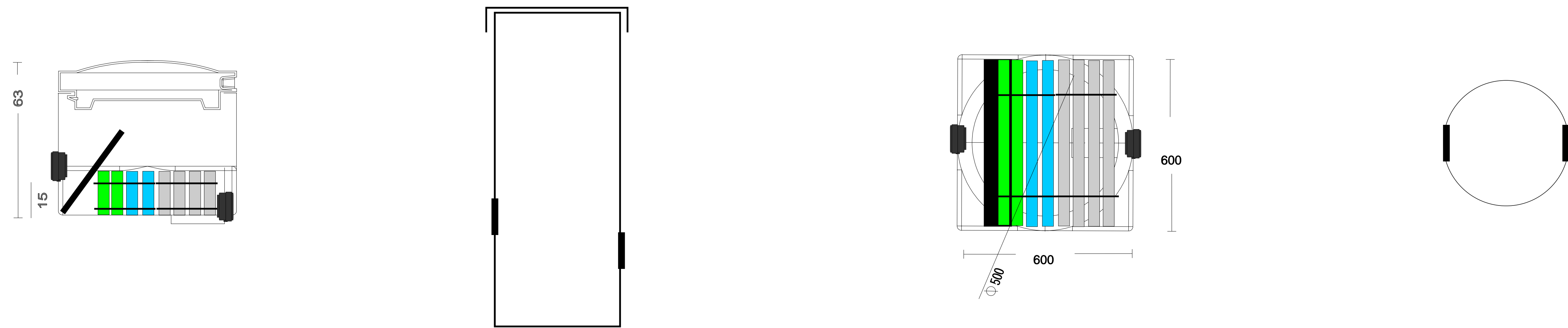
Modell	Kapasitet l/ 24h	SK 420	SK600	SK1200 SAV	BM	Pakor
Bio-Box L	400	+	+	+	+	+

**Model, equipment level, auxiliary equipment:**

Model	Capacity l/ 24 h	SK 420	SK600	SK1200 SAV	BM	Pakor
Bio-Box L	400	+	+	+	+	+

		Scale:
	<b>BioBox M</b>	<b>2021</b>
<b>raitabiobox.fi</b>		

# BioBox M - Näytteenottokaivo



		Scale:
	BioBox XL	2021
raitabiobox.fi		