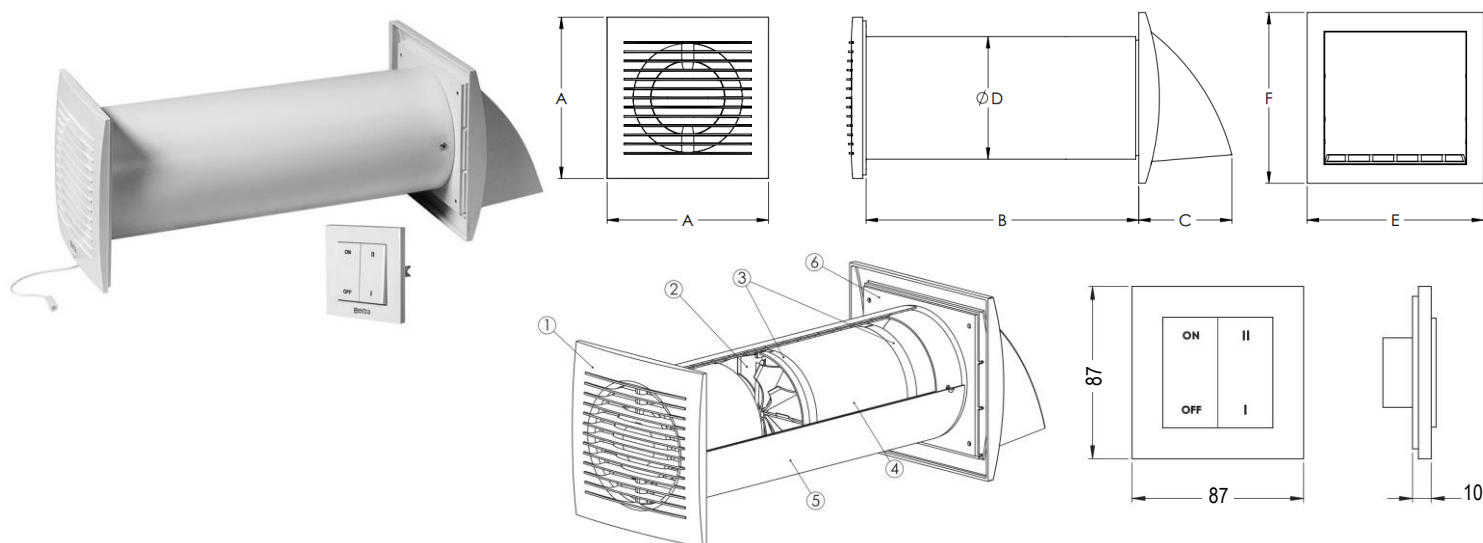


## Wall-mounted heat recovery unit EER



### Description

Telescopic plastic wall kit for ventilation of premises with heat recovery function

### Technical data

Construction	Made from plastic. Contains: ① axial fan, ② air flow straightener, ③ two filters, ④ ceramic heat regenerator, ⑤ adjustable telescopic duct, ⑥ outside grill.
Installation	Through - wall mounting, horizontal, with 1-2° slope down to outdoor, screw fixing.
Colors	White, anthracite

### Dimensions

Type	A [mm]	B [mm]	C [mm]	ØD [mm]	E [mm]	F [mm]
EER100	140	300-555	81	106	153	148
EER125	165	300-555	95	131	190	190
EER150	190	300-555	95	156	190	190

### Technical specifications

Type	EER100		EER125		EER150	
	I	II	I	II	I	II
Speed						
Voltage [V, Hz]	220-240V, 50Hz		220-240V, 50Hz		220-240V, 50Hz	
Power [W]	1,5	2	1,8	3,4	1,8	3,7
Air flow [m <sup>3</sup> /h]	20	24	20	30	29	53
Air flow in heat recovery mode[m <sup>3</sup> /h]	10	12	10	15	15	27
Noise level at 3m distance [L <sub>p</sub> A dB(A)]	27	32	22	31	19	32
IP	IPX4		IPX4		IPX4	
Rotation speed [RPM]	2050	2450	1100	1700	800	1450
Temperature min/max [°C]	-30/+50		-30/+50		-30/+50°C	
Filter class	EU1		EU1		EU1	
Recuperation efficiency	≤ 85%		≤ 90%		≤ 90%	
Energy efficiency class	A		A		A	
Weight [kg]	1,54		1,90		2,37	

### Modifications

- EERxxxS – white, with a wall switch
- EERxxxWP – white, with a cable and a switch
- EERxxxxA – anthracite color