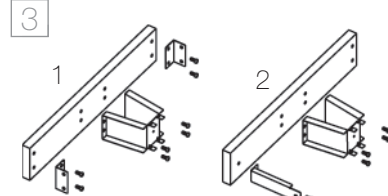


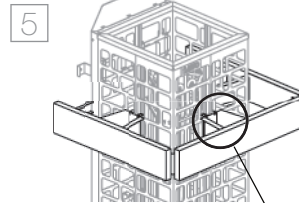
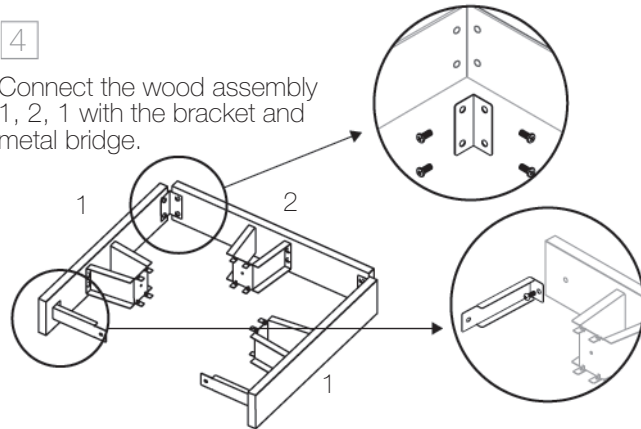
Note on the parts' corresponding numbers



Assemble the wood and metal holder with screws.

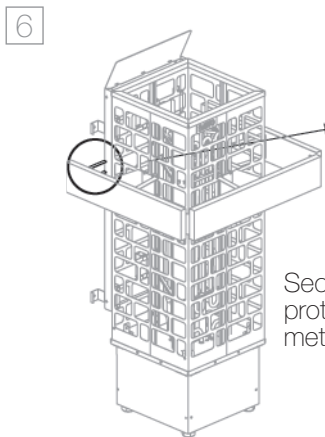
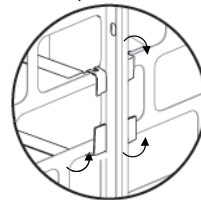
PROTECTIVE COVER MUST BE INSTALLED BEFORE ATTACHING THE GUARD RAIL.

4
Connect the wood assembly 1, 2, 1 with the bracket and metal bridge.

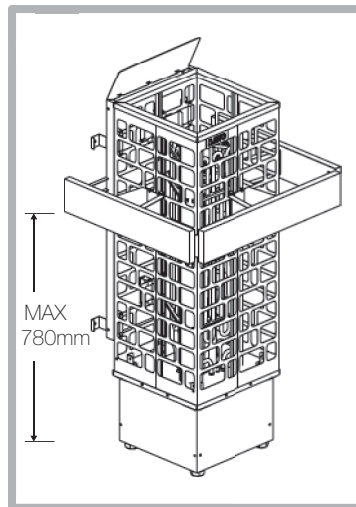


5
Clip the metal holders into the casing.

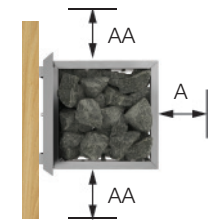
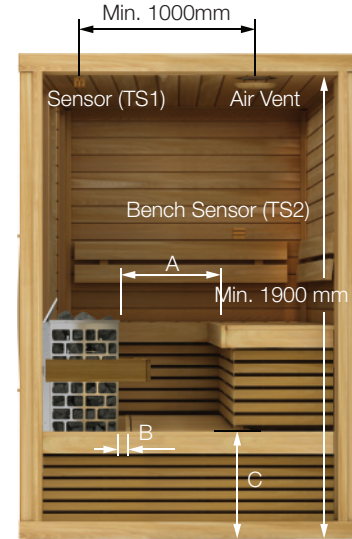
Bend the clips to secure.



6
Secure the guard rail to the protective cover with the metal bridge.



Safety Distance (mm)



Wall Installation with Protective Cover

HEATER MODEL	A (MIN.)	AA (MIN.)	B (MIN.)	C (MAX.)
CUB3-45 Ni2 NS NB	100	100	45	700
CUB3-60 Ni2 NS NB	100	100	45	700
CUB3-75 Ni2 NS NB	100	135	45	700
CUB3-90 Ni2 NS NB	125	135	45	700