

## Electric instantaneous water heaters

### EPS2



IP25



Small in size, inexpensive to install, ideal for summer houses, offices or bars.

## Application



EPS2 from 3,5kW



EPS2 5,5kW

## Most important advantages

EPS2

### Mixer tap included in the set

- nonpressure appliance
- three-way tap included in the set

### Fine-stream spray head

- comfortable use
- savings on water and energy up to 50%

### Power switch

- the power switch in 5,5kW / 4,4kW

### Supply cord

- connecting cord 1,2 m
- connection to the electrical terminal block

EPS2.P

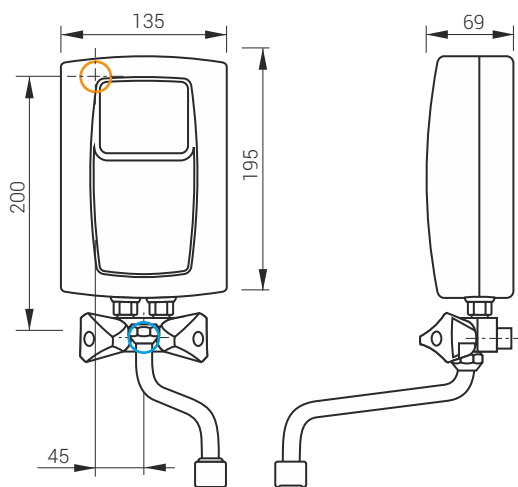
### Fine-stream spray head

- comfortable use
- savings on water and energy up to 50%

### Mixer tap included in the set

- nonpressure appliance
- three-way tap included in the set

## Dimensions



Inlet and outlet section: 1/2"

 cold water inlet

 electric cable connection point

### EPS2.P



IP25



## Technical data

Type	Rated power / Rated voltage	Supply water pressure (MPa)	Rated current (A)	Min. connecting wires section (mm <sup>2</sup> )	Efficiency (Δt=30°) (l/min.)
EPS2-3,5	3,5 kW / 230V~	0,12 - 0,6	15,2	3 x 1,5	1,7
EPS2-4,4	4,4 kW / 230V~	0,12 - 0,6	19,1	3 x 2,5	2,1
EPS2-5,5	5,5 kW / 230V~	0,12 - 0,6	23,9	3 x 2,5	2,6
EPS2.P-4,4	4,4 kW / 230V~	0,12 - 0,6	19,1	3 x 2,5	2,1
EPS2.P-5,5	5,5 kW / 230V~	0,12 - 0,6	23,9	3 x 2,5	2,6